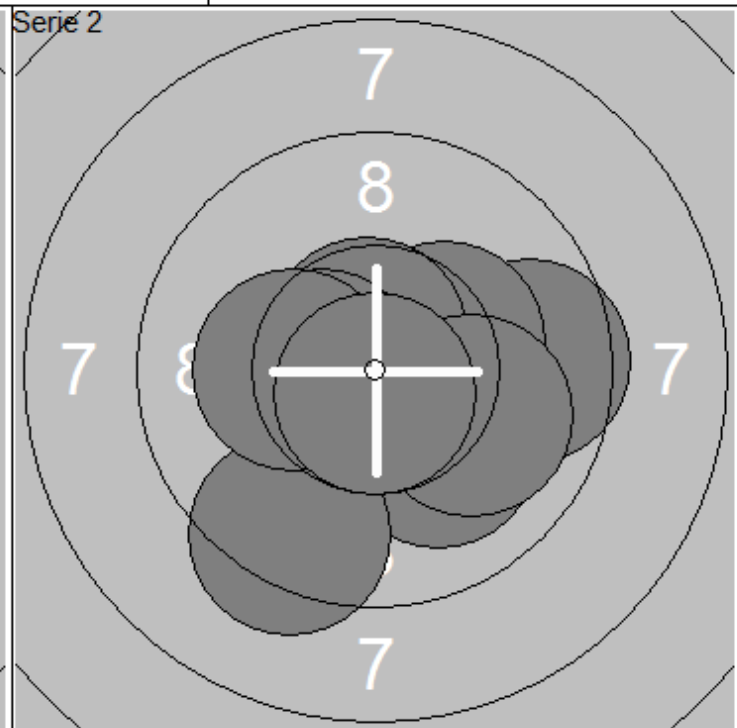
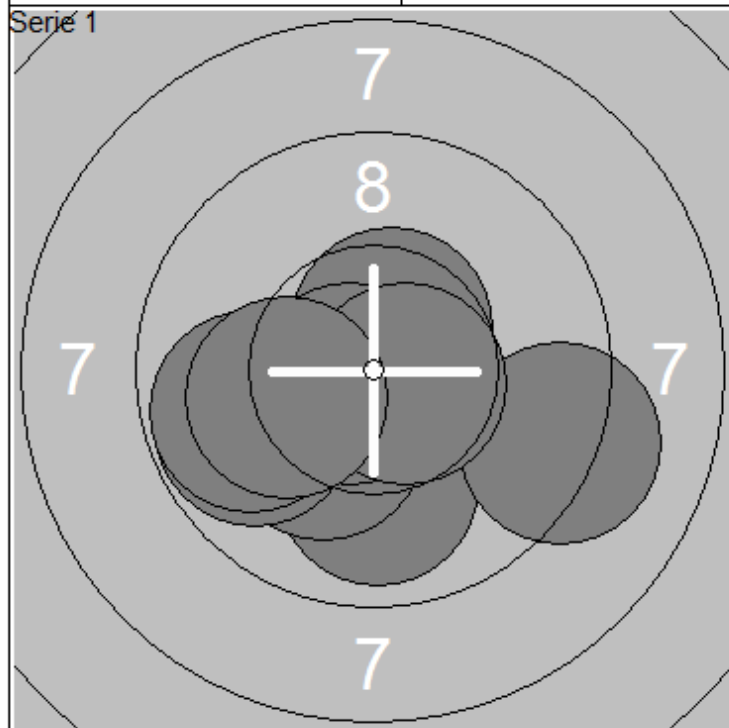


Skjutlag <b>1</b>	Tavla <b>2</b>	<b>Jonathan Ahlm</b>	
----------------------	-------------------	----------------------	--

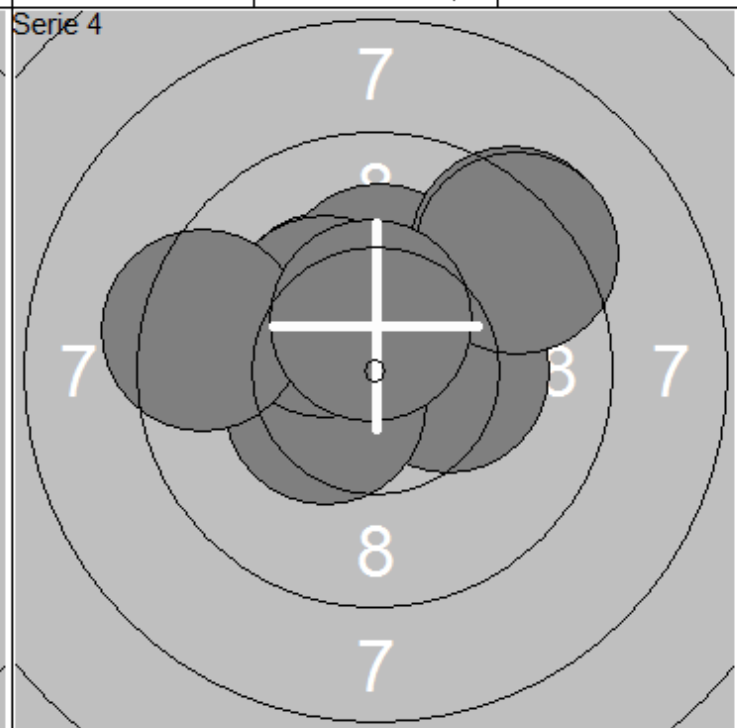
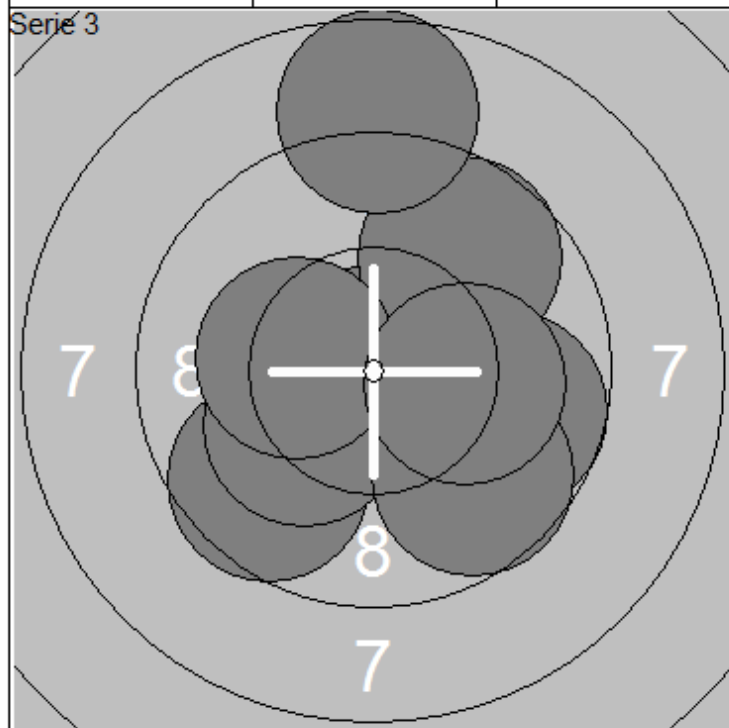
1 Luft	Söraby SF	SEN	
--------	-----------	-----	--

02.04.2022	Discokulan 2022	Alvesta SF	
------------	-----------------	------------	--



1: 10.5x ↙	6: 10.7x ↙	Serie	101.3
2: 9.9 ↓	7: 9.8 ↙		
3: 10.2x ↙	8: 9.8 ↙	Total	101.3
4: 9.2 →	9: 10.6x ↘		
5: 10.5x ↗	10: 10.1 ↙		

1: 10.6x ↙	6: 10.6x ↗	Serie	101.8
2: 10.0 ↘	7: 10.5x ←		
3: 9.3 ↙	8: 10.0 ↘	Total	203.1
4: 9.6 →	9: 10.2x ←		
5: 10.3x ↗	10: 10.7x ↓		



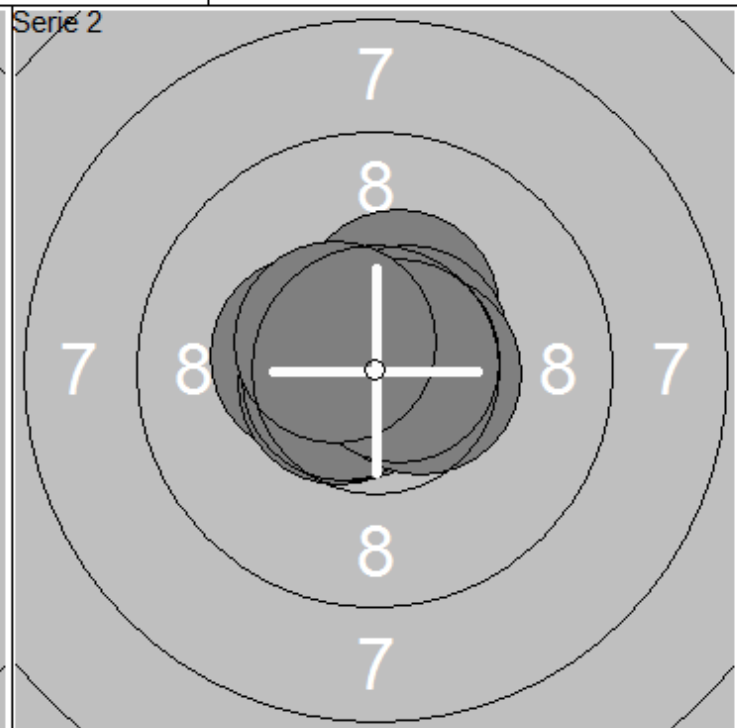
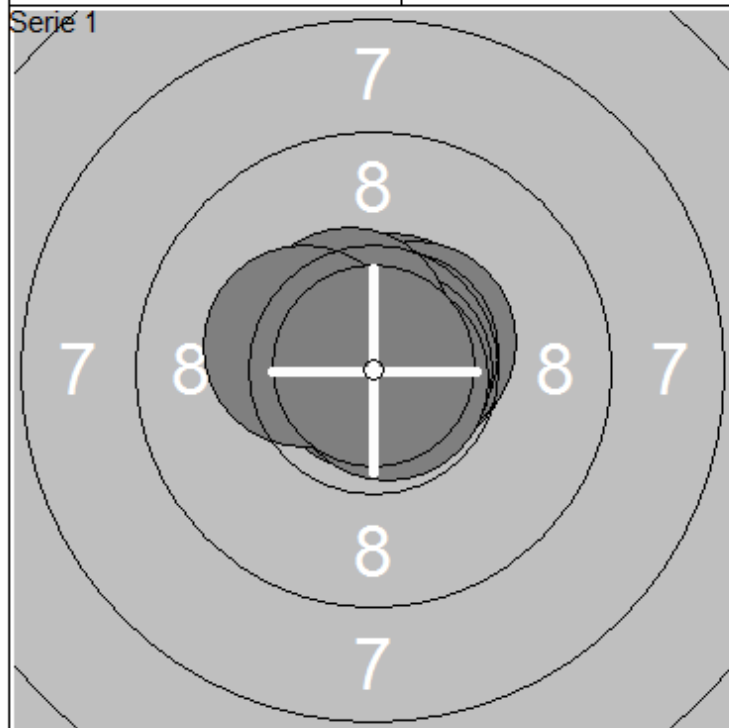
1: 10.6x →	6: 9.6 ↘	Serie	99.1
2: 9.7 →	7: 9.7 ↗		
3: 9.6 ↙	8: 10.2x ←	Total	302.2
4: 10.9x ↑	9: 10.1 →		
5: 10.1 ↙	10: 8.6 ↑		

1: 10.3x ↗	6: 10.4x ←	Serie	100.6
2: 10.6x →	7: 10.3x ↙		
3: 10.3x →	8: 9.3 ↗	Total	402.8
4: 10.2x ↑	9: 9.4 ←		
5: 9.3 ↗	10: 10.5x ↑		

Skjutlag <b>1</b>	Tavla <b>3</b>	<b>Josefine Ahlm</b>	
----------------------	-------------------	----------------------	--

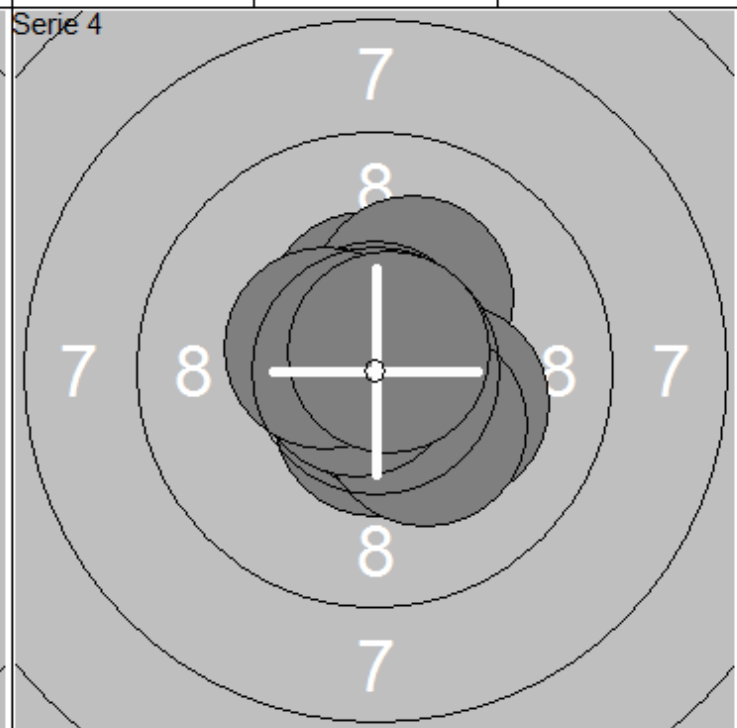
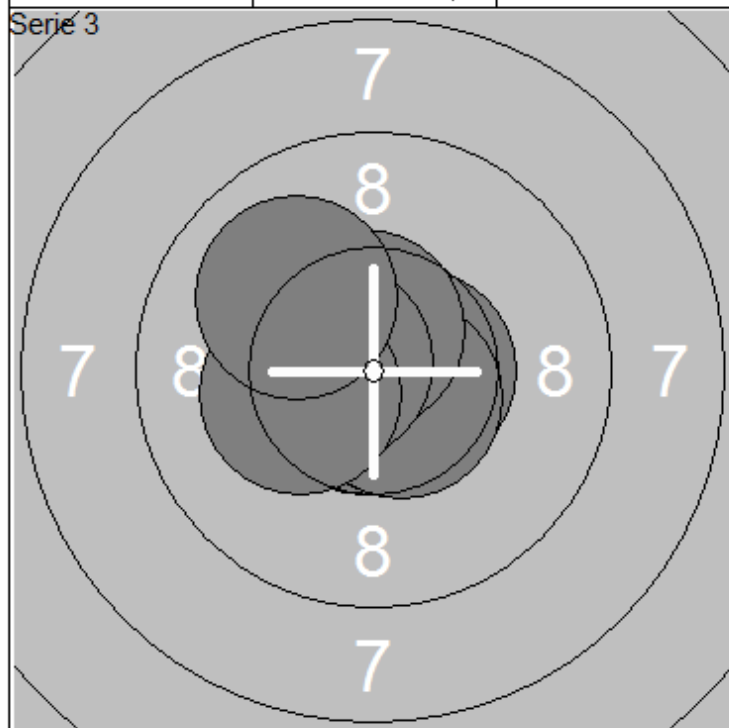
1 Luft	Söraby SF	JUN	
--------	-----------	-----	--

02.04.2022	Discokulan 2022	Alvesta SF	
------------	-----------------	------------	--



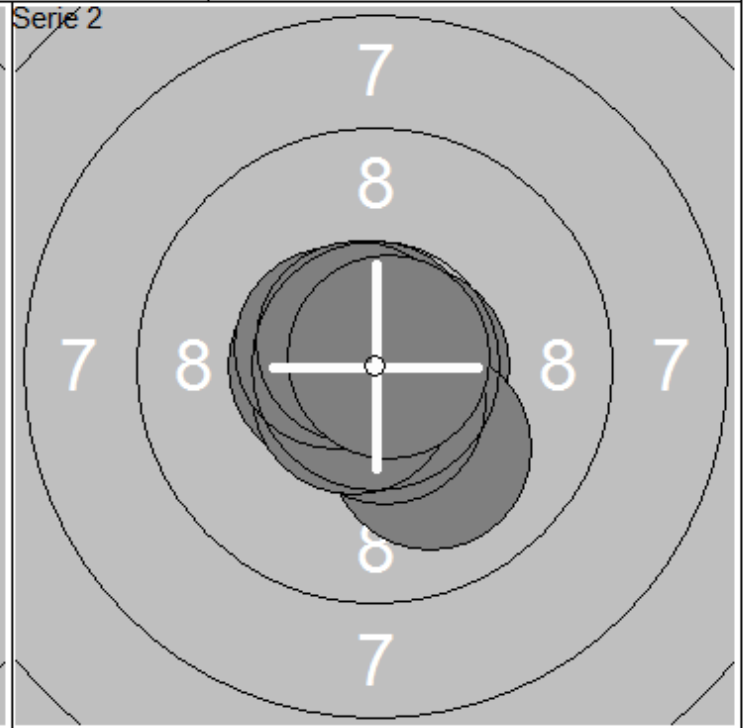
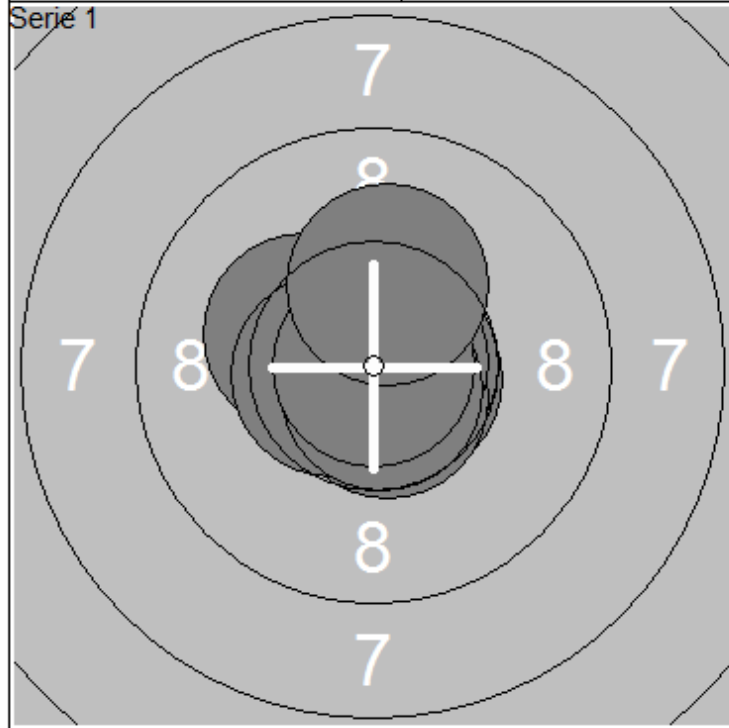
1: 10.5x ↗	6: 10.8x →	Serie	106.5
2: 10.9x ←	7: 10.5x ↗		
3: 10.6x ↘	8: 10.8x ↘	Total	106.5
4: 10.5x ↗	9: 10.3x ↖		
5: 10.7x ↗	10: 10.9x ↑		

1: 10.4x ←	6: 10.4x ↗	Serie	105.6
2: 10.6x ←	7: 10.6x ↗		
3: 10.6x →	8: 10.5x →	Total	212.1
4: 10.7x ←	9: 10.7x ↗		
5: 10.6x ←	10: 10.5x ↖		



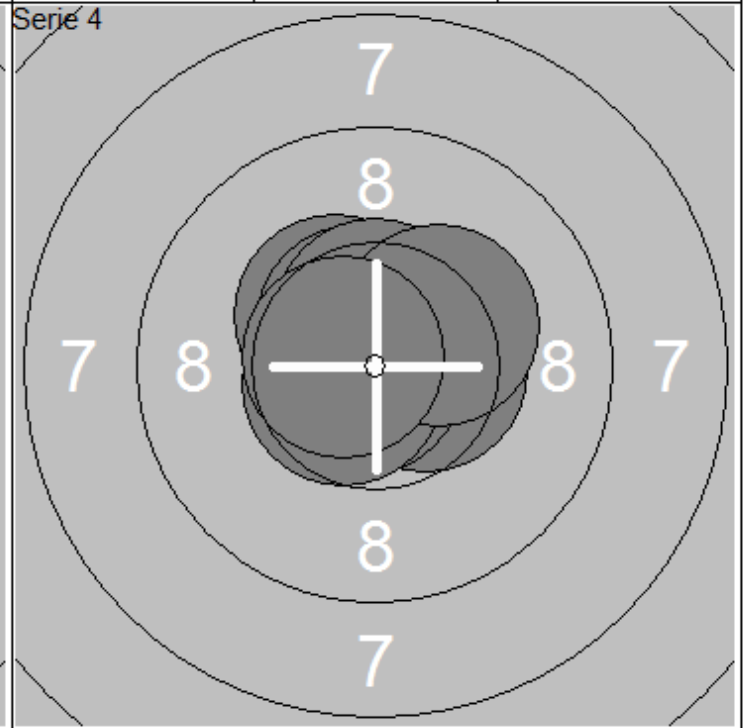
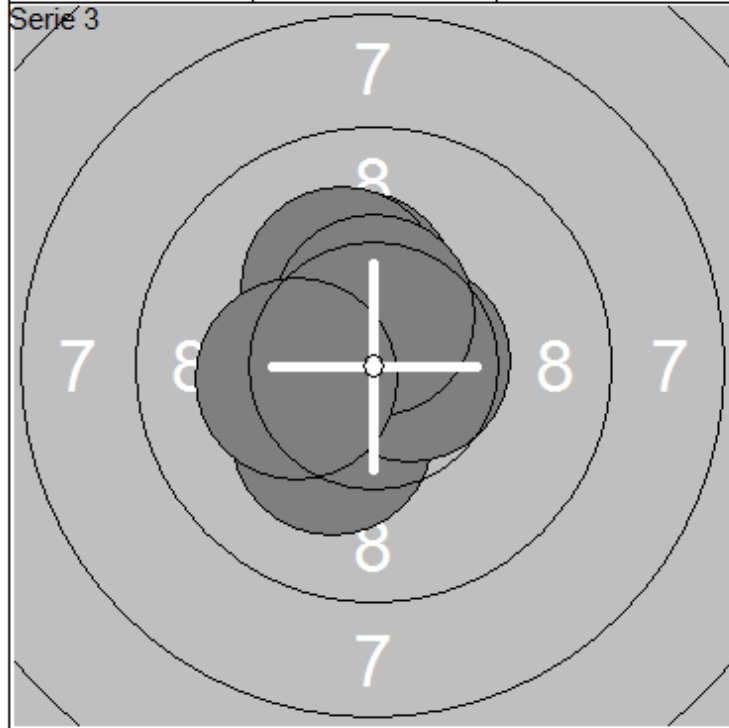
1: 10.7x ↘	6: 10.6x ↘	Serie	105.5
2: 10.8x ↗	7: 10.6x ↗		
3: 10.7x →	8: 10.5x ↖	Total	317.6
4: 10.6x →	9: 10.3x ↖		
5: 10.7x ↘	10: 10.0 ↗		

1: 10.4x ↗	6: 10.3x ↘	Serie	104.9
2: 10.2x ↗	7: 10.8x ←		
3: 10.2x →	8: 10.7x ↑	Total	422.5
4: 10.5x ↓	9: 10.4x ↖		
5: 10.7x ↘	10: 10.7x ↗		



1: 10.7x ↘	6: 10.8x →	Serie	106.0
2: 10.5x ↗	7: 10.6x ←		
3: 10.7x →	8: 10.7x ↓	Total	106.0
4: 10.6x ↙	9: 10.9x		
5: 10.3x ↗	10: 10.2x ↑		

1: 10.6x →	6: 10.6x ↙	Serie	106.0
2: 10.1 ↘	7: 10.5x ↖		
3: 10.5x ←	8: 10.7x ↑	Total	212.0
4: 10.9x	9: 10.7x ↗		
5: 10.6x ↓	10: 10.8x ↗		



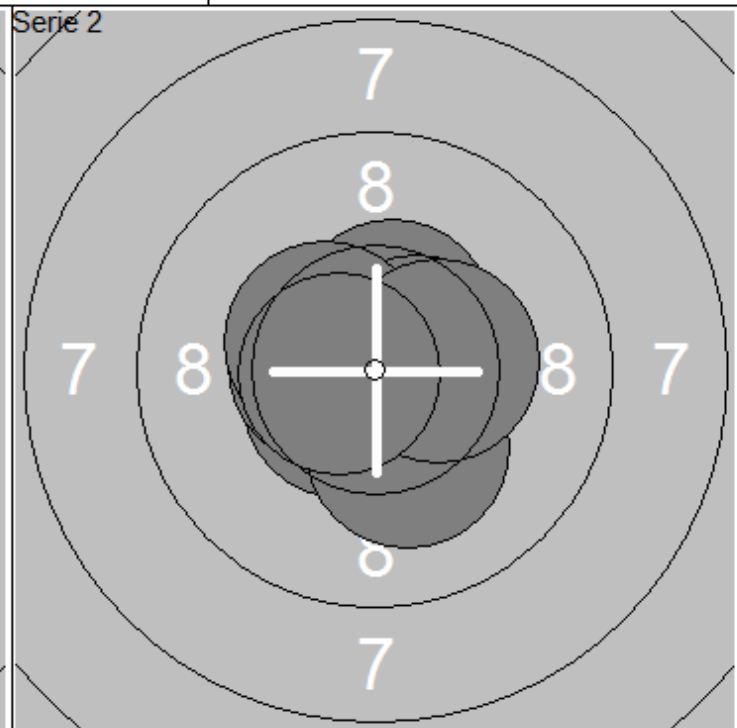
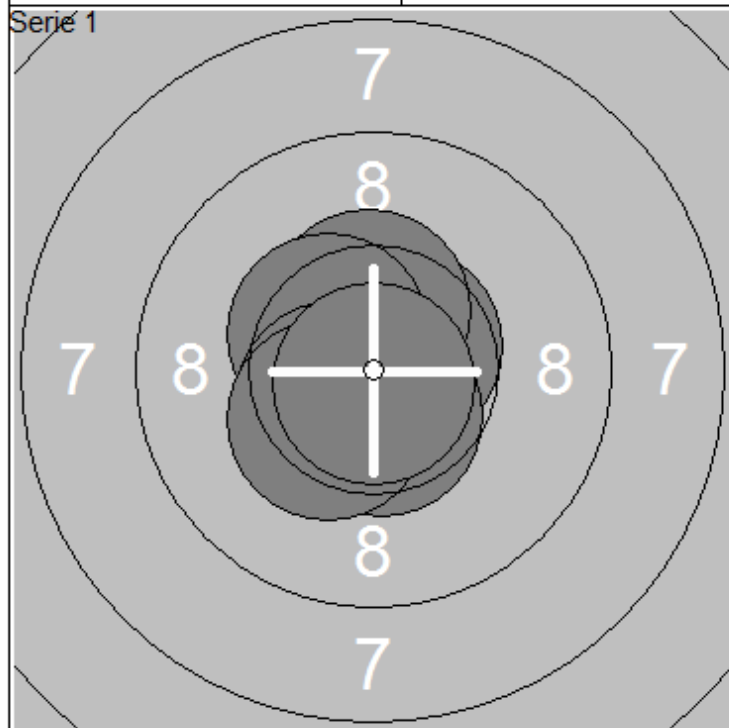
1: 10.2x ↙	6: 10.6x ↗	Serie	104.1
2: 10.3x ↗	7: 10.2x ↗		
3: 10.4x ←	8: 10.6x →	Total	316.1
4: 10.6x ↑	9: 10.5x ↑		
5: 10.5x ↑	10: 10.2x ←		

1: 10.3x ↗	6: 10.8x ↙	Serie	105.8
2: 10.8x ↗	7: 10.6x ↙		
3: 10.5x ↗	8: 10.5x ↑	Total	421.9
4: 10.8x →	9: 10.3x ↗		
5: 10.5x →	10: 10.7x ↖		

Skjutlag <b>1</b>	Tavla <b>5</b>	<b>Amanda Berglund</b>	
----------------------	-------------------	------------------------	--

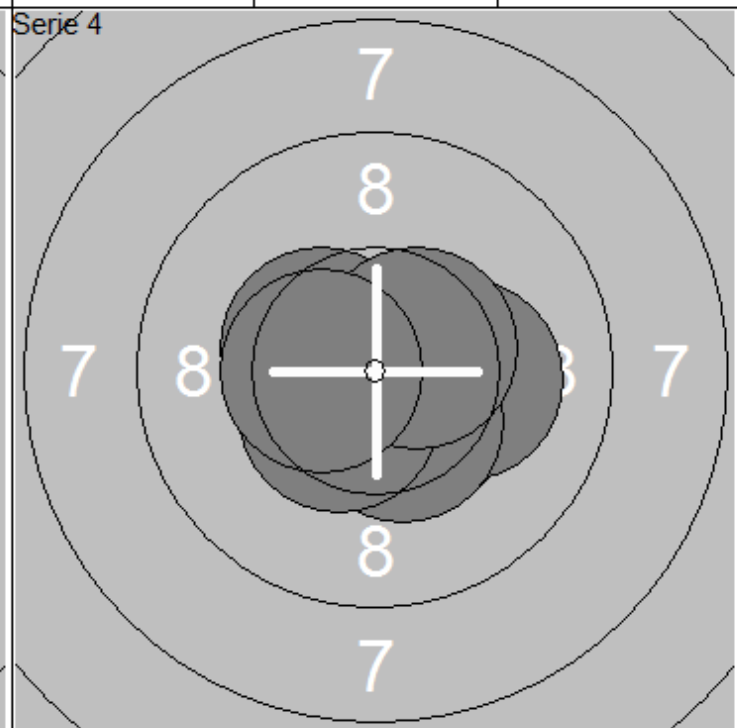
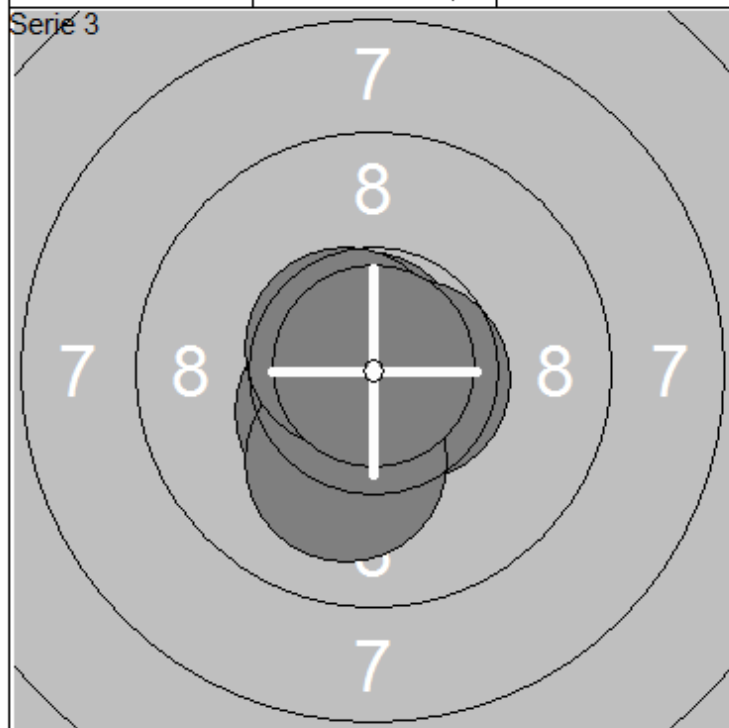
1 Luft	Söraby SF	JUN	
--------	-----------	-----	--

02.04.2022	Discokulan 2022	Alvesta SF	
------------	-----------------	------------	--



1: 10.6x ↗	6: 10.7x ↓	Serie	105.3
2: 10.4x ↑	7: 10.5x ↘		
3: 10.6x ↙	8: 10.5x ↓	Total	105.3
4: 10.4x ↖	9: 10.3x ↙		
5: 10.5x ↘	10: 10.8x ↓		

1: 10.6x ↙	6: 10.8x ↓	Serie	105.3
2: 10.4x ↑	7: 10.4x ↖		
3: 10.6x →	8: 10.2x ↓	Total	210.6
4: 10.5x ←	9: 10.4x →		
5: 10.8x ↓	10: 10.6x ←		



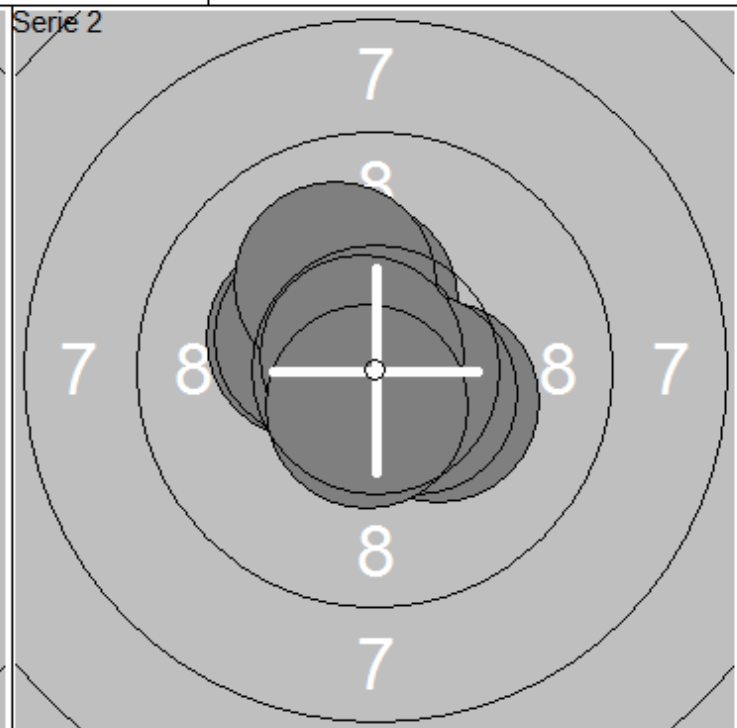
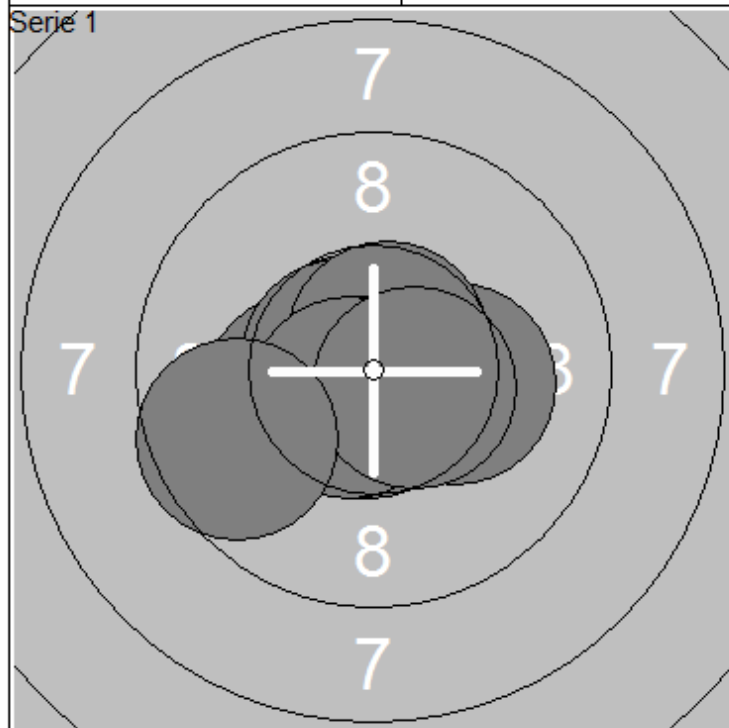
1: 10.9x →	6: 10.6x →	Serie	106.7
2: 10.7x ←	7: 10.8x ←		
3: 10.8x ↗	8: 10.1 ↓	Total	317.3
4: 10.5x ↘	9: 10.6x ↗		
5: 10.8x ↓	10: 10.9x ↑		

1: 10.8x ↘	6: 10.2x →	Serie	104.7
2: 10.5x ↘	7: 10.4x ↓		
3: 10.6x ↙	8: 10.4x ↙	Total	422.0
4: 10.5x ↘	9: 10.5x ↗		
5: 10.4x ↗	10: 10.4x ←		

Skjutlag <b>1</b>	Tavla <b>6</b>	<b>Hugo Ahlm</b>	
----------------------	-------------------	------------------	--

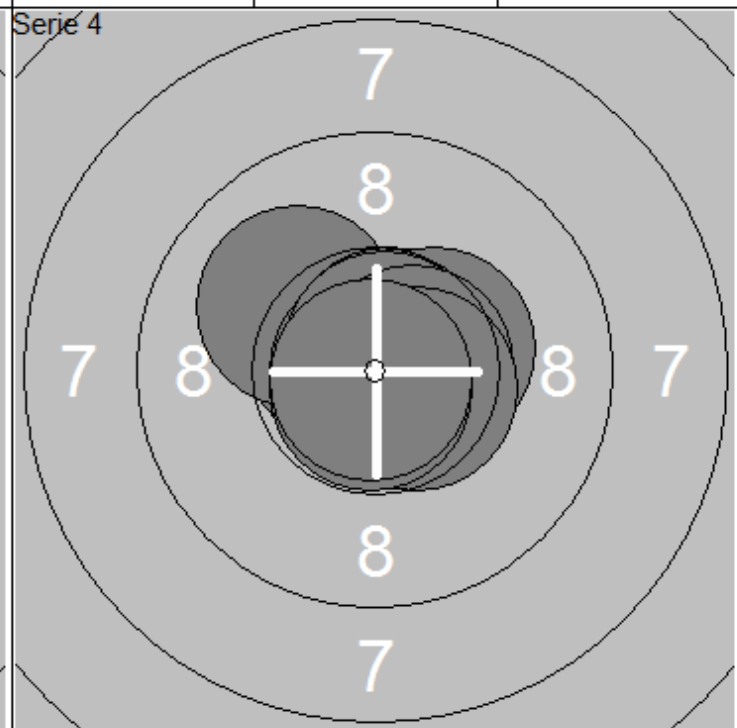
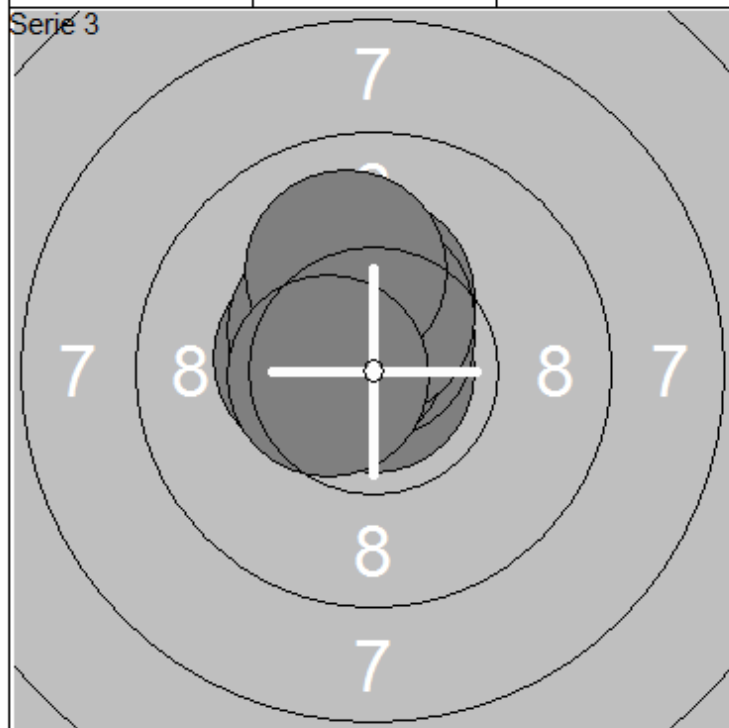
1 Luft	Söraby SF	L13	
--------	-----------	-----	--

02.04.2022	Discokulan 2022	Alvesta SF	
------------	-----------------	------------	--



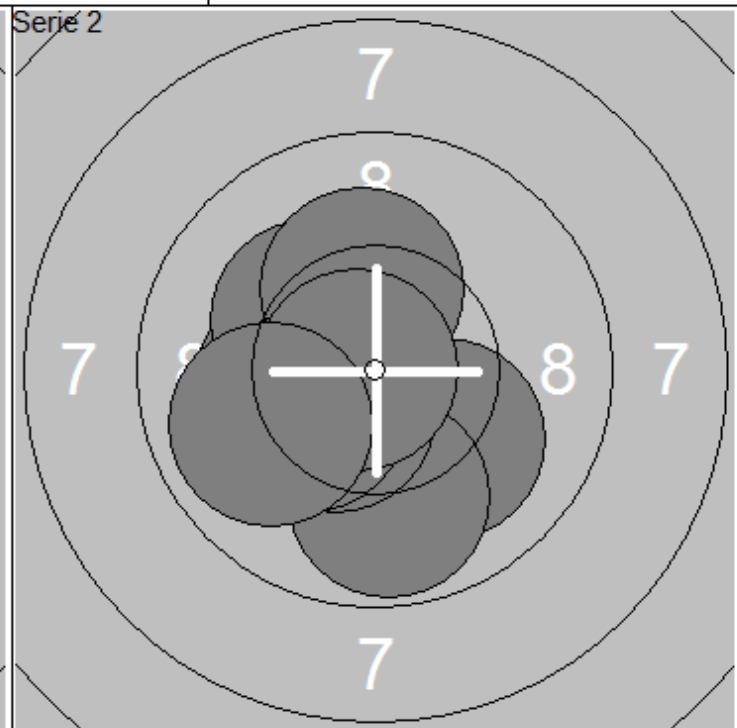
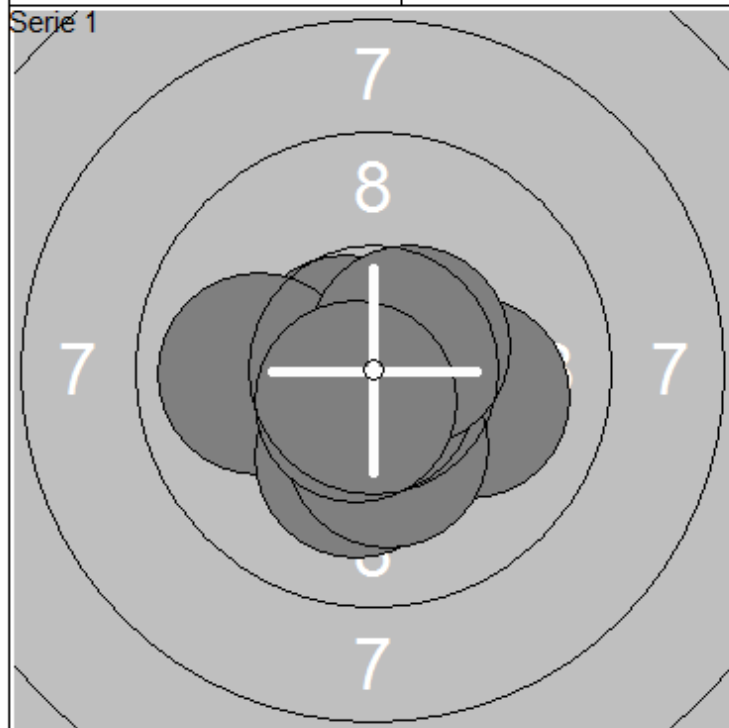
1: 10.3x ↙	6: 10.7x ↗	Serie	104.9
2: 10.9x ↘	7: 10.7x ↓		
3: 10.7x ↗	8: 10.6x ↘	Total	104.9
4: 10.7x ↗	9: 10.5x ↘		
5: 10.2x →	10: 9.6 ↙		

1: 10.3x ↗	6: 10.6x ↓	Serie	104.7
2: 10.3x ↗	7: 10.1 ↗		
3: 10.3x ↗	8: 10.5x ↘	Total	209.6
4: 10.3x ↘	9: 10.8x ↗		
5: 10.9x ↗	10: 10.6x ↘		



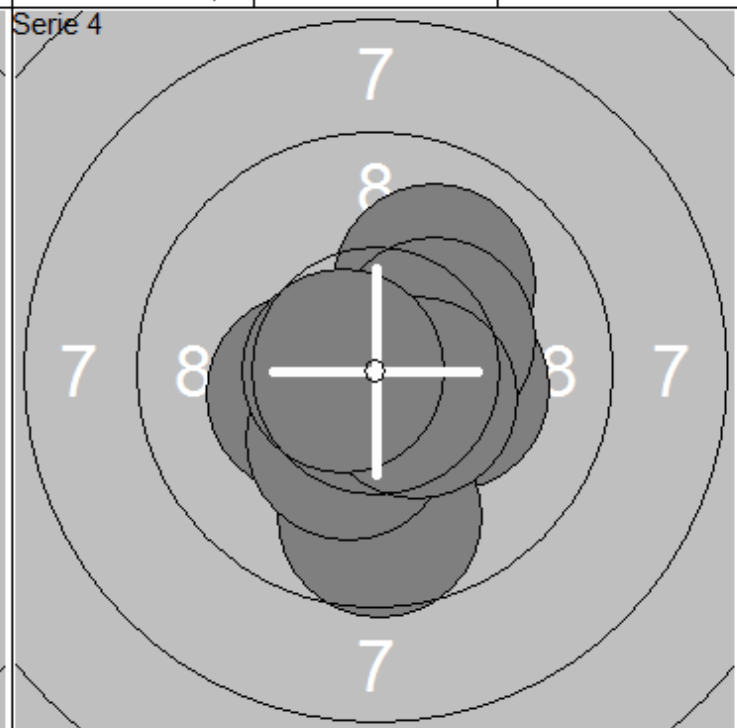
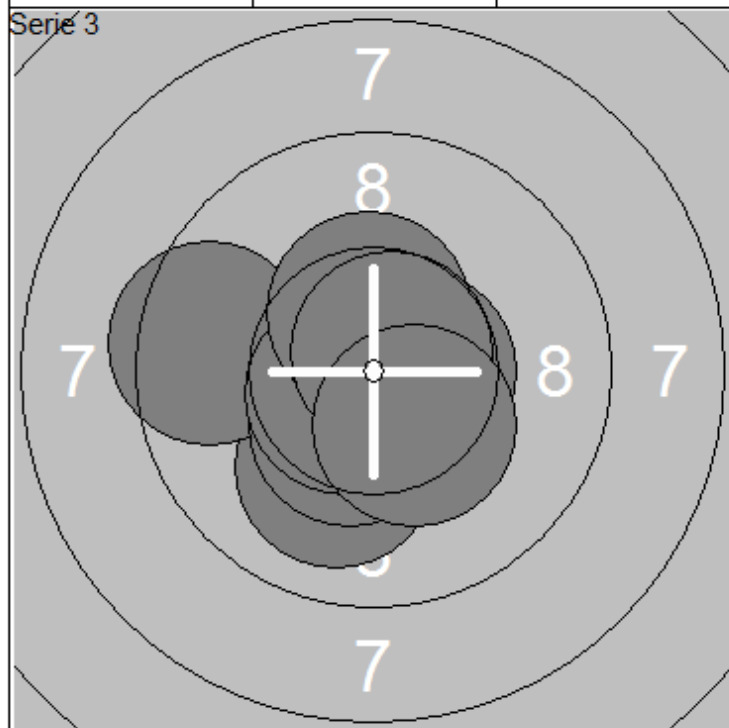
1: 10.4x ↙	6: 10.4x ↗	Serie	104.9
2: 10.3x ↑	7: 10.7x ↗		
3: 10.5x ↗	8: 10.5x ↑	Total	314.5
4: 10.9x	9: 10.0 ↑		
5: 10.7x ↑	10: 10.5x ↙		

1: 10.6x ↗	6: 10.7x ↗	Serie	106.1
2: 10.0 ↗	7: 10.6x →		
3: 10.9x ↙	8: 10.6x →	Total	420.6
4: 10.7x ↗	9: 10.8x ↓		
5: 10.4x →	10: 10.8x ↓		



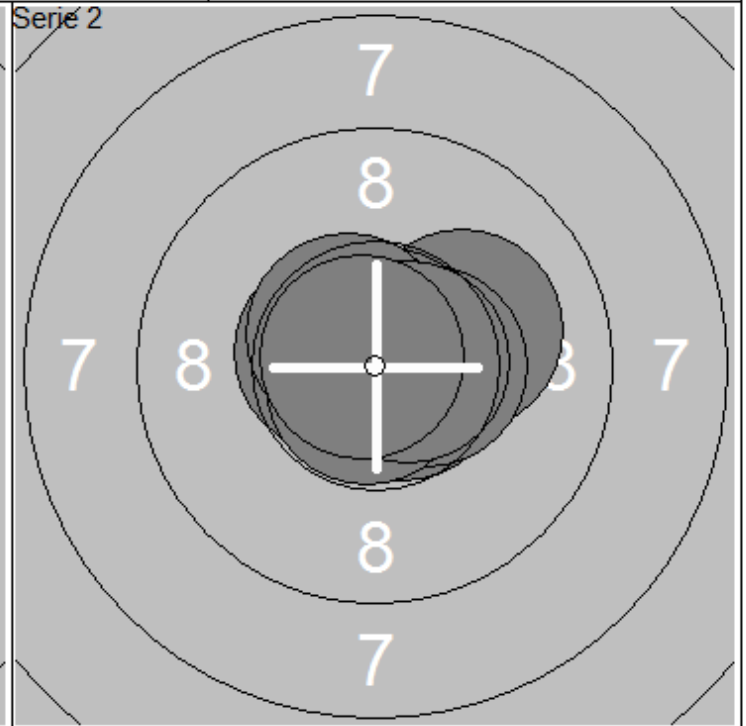
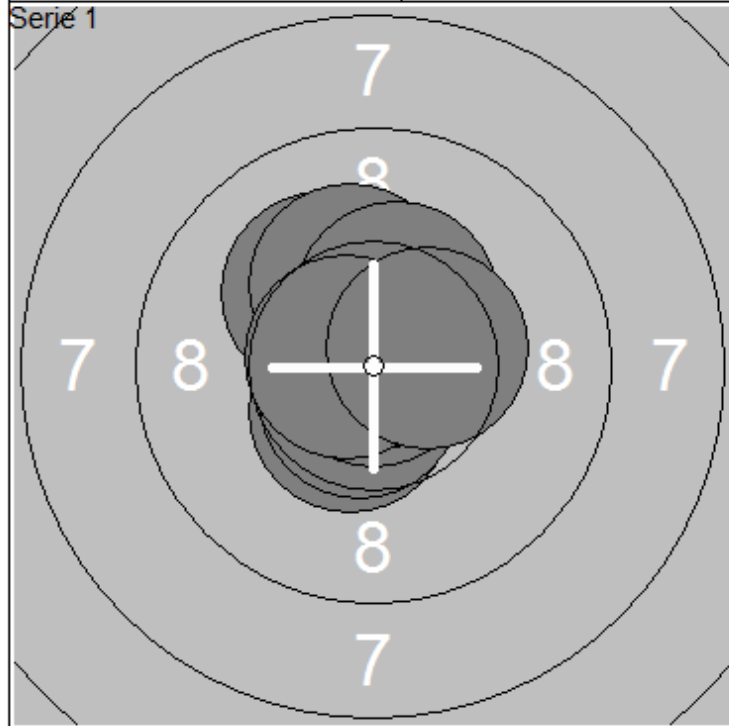
1: 10.9x ↗	6: 10.2x ↓	Serie	104.5
2: 10.7x ↖	7: 10.2x ↓		
3: 10.6x ↙	8: 10.7x ↓	Total	104.5
4: 10.1 →	9: 10.6x ↗		
5: 9.9 ←	10: 10.6x ↓		

1: 10.2x ←	6: 9.8 ↓	Serie	102.4
2: 10.6x ↓	7: 10.4x ↙		
3: 10.1 ↓	8: 10.2x ↙	Total	206.9
4: 10.2x ↗	9: 10.8x ←		
5: 10.2x ↑	10: 9.9 ↙		



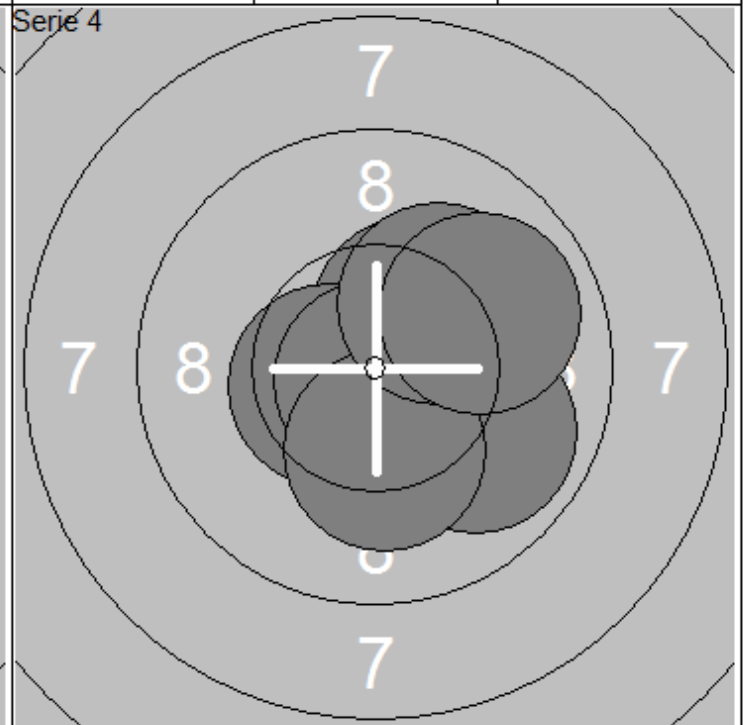
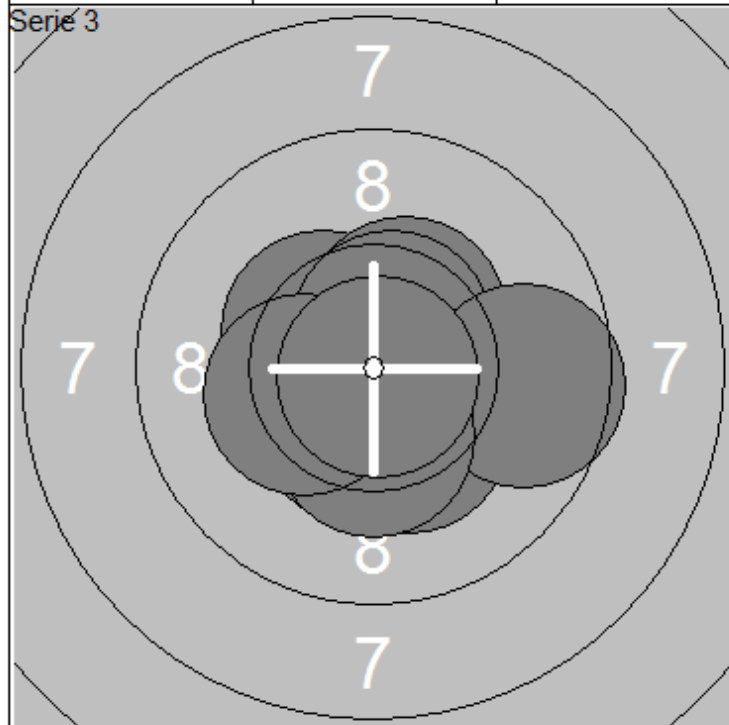
1: 10.0 ↓	6: 10.7x ↓	Serie	103.8
2: 9.5 ←	7: 10.6x ↙		
3: 10.6x →	8: 10.4x ↑	Total	310.7
4: 10.6x ↑	9: 10.7x ↗		
5: 10.4x ↓	10: 10.3x ↓		

1: 10.3x →	6: 10.3x ↗	Serie	103.6
2: 10.7x →	7: 10.3x ←		
3: 10.0 ↗	8: 10.3x ↓	Total	414.3
4: 10.8x ↓	9: 10.5x ↓		
5: 9.7 ↓	10: 10.7x ←		



1: 10.5x ↙	6: 10.2x ↗	Serie	105.0
2: 10.4x ↗	7: 10.8x ↗		
3: 10.6x ↙	8: 10.3x ↗	Total	105.0
4: 10.2x ↗	9: 10.7x ↖		
5: 10.9x	10: 10.4x ↗		

1: 10.8x ←	6: 10.6x ↗	Serie	106.2
2: 10.5x ←	7: 10.5x →		
3: 10.7x ↘	8: 10.8x ↙	Total	211.2
4: 10.1 ↗	9: 10.7x →		
5: 10.7x ↗	10: 10.8x ↖		



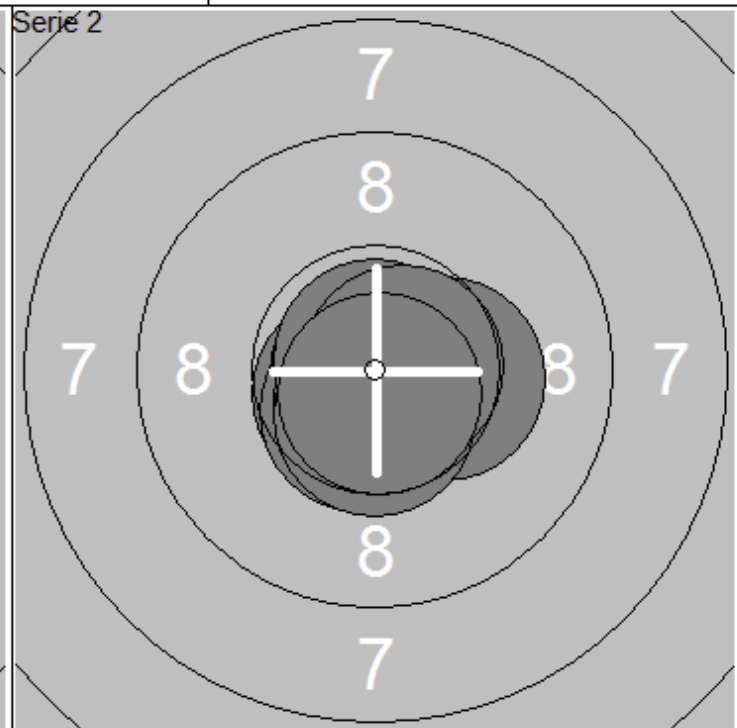
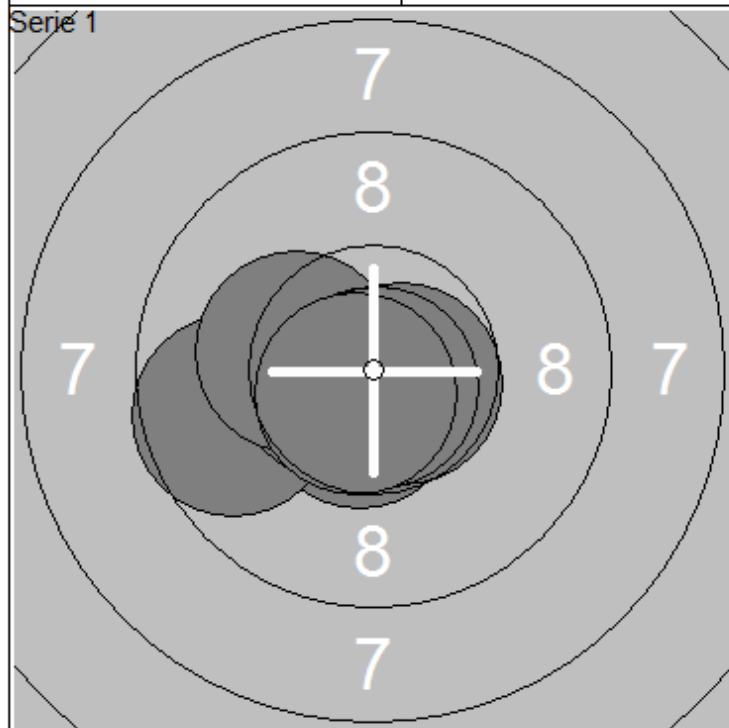
1: 10.4x ↙	6: 10.6x ↗	Serie	103.7
2: 10.3x ↙	7: 9.6 →		
3: 10.4x ↗	8: 10.3x ↓	Total	314.9
4: 10.6x ↗	9: 10.3x ←		
5: 10.4x ↗	10: 10.8x ↙		

1: 10.7x →	6: 10.5x ←	Serie	103.7
2: 10.4x ↗	7: 10.8x ↓		
3: 10.6x ↓	8: 10.2x ↓	Total	418.6
4: 10.6x ↓	9: 10.1 ↗		
5: 9.9 ↘	10: 9.9 ↗		

Skjutlag <b>1</b>	Tavla <b>11</b>	<b>Vilde Magnusson</b>
----------------------	--------------------	------------------------

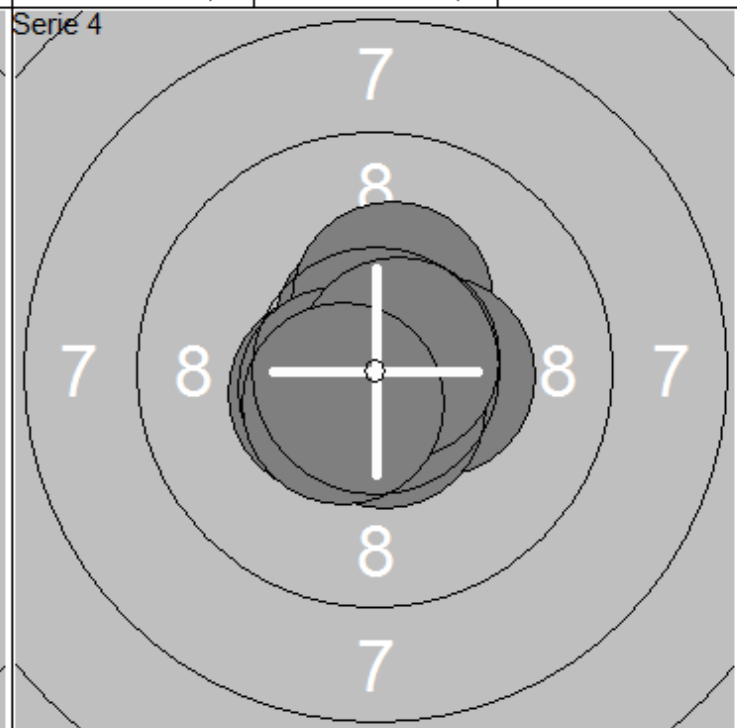
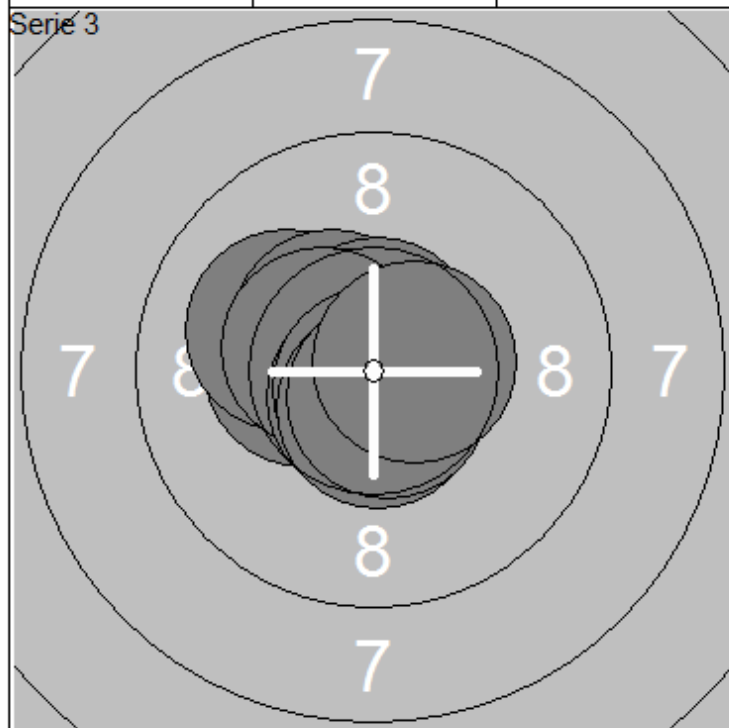
1 Luft	Växjö SG	L13
--------	----------	-----

02.04.2022	Discokulan 2022	Alvesta SF
------------	-----------------	------------



1: 10.6x ↙	6: 10.6x ←	Serie	105.3
2: 10.5x ←	7: 10.2x ←		
3: 10.7x →	8: 10.8x ↓	Total	105.3
4: 10.8x ↙	9: 10.8x ↓		
5: 9.6 ←	10: 10.7x ↙		

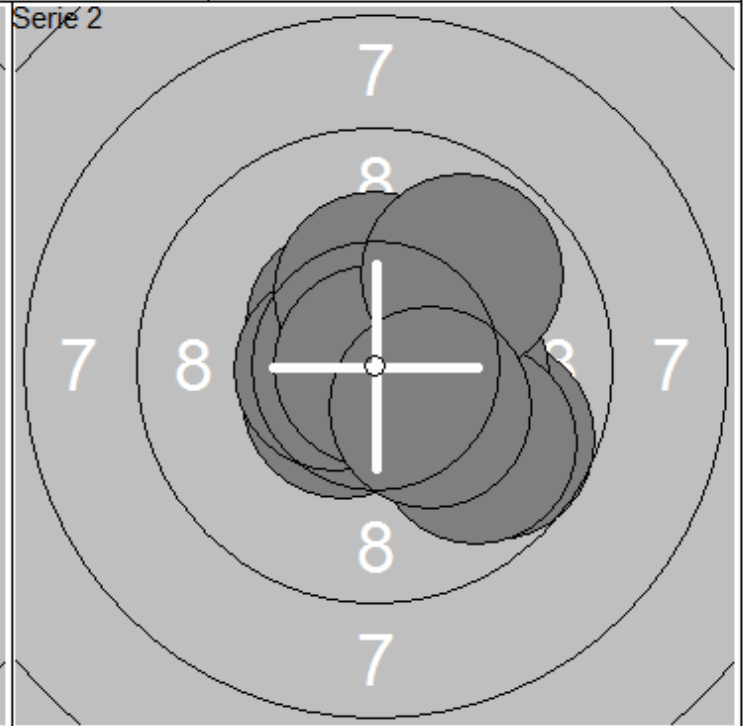
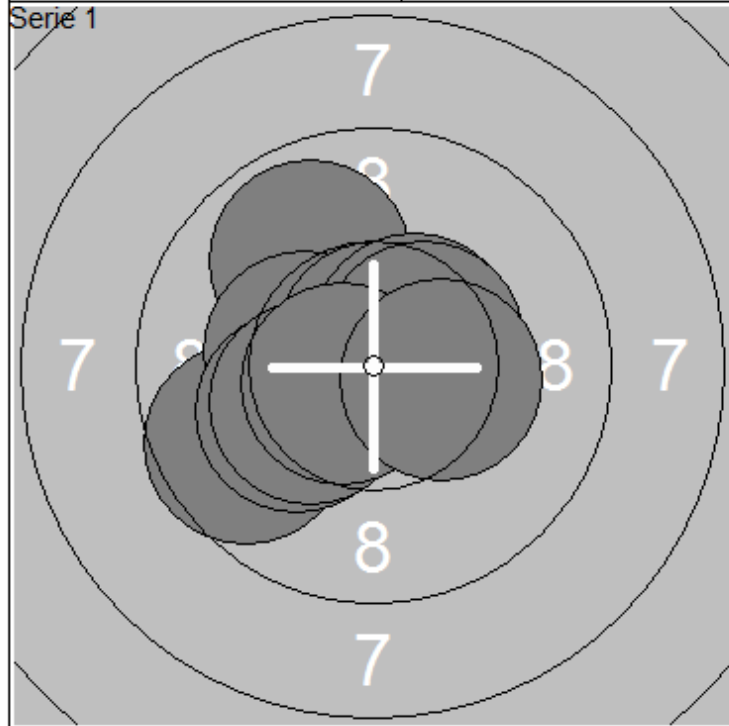
1: 10.6x ↙	6: 10.3x →	Serie	106.3
2: 10.9x ↙	7: 10.8x ↑		
3: 10.6x ↓	8: 10.5x ↓	Total	211.6
4: 10.5x ↓	9: 10.7x →		
5: 10.7x ↓	10: 10.7x ↓		



1: 10.3x ←	6: 10.7x ↓	Serie	105.4
2: 10.1 ↗	7: 10.8x ↓		
3: 10.4x ↗	8: 10.6x ↓	Total	317.0
4: 10.7x →	9: 10.7x ↓		
5: 10.5x ↗	10: 10.6x →		

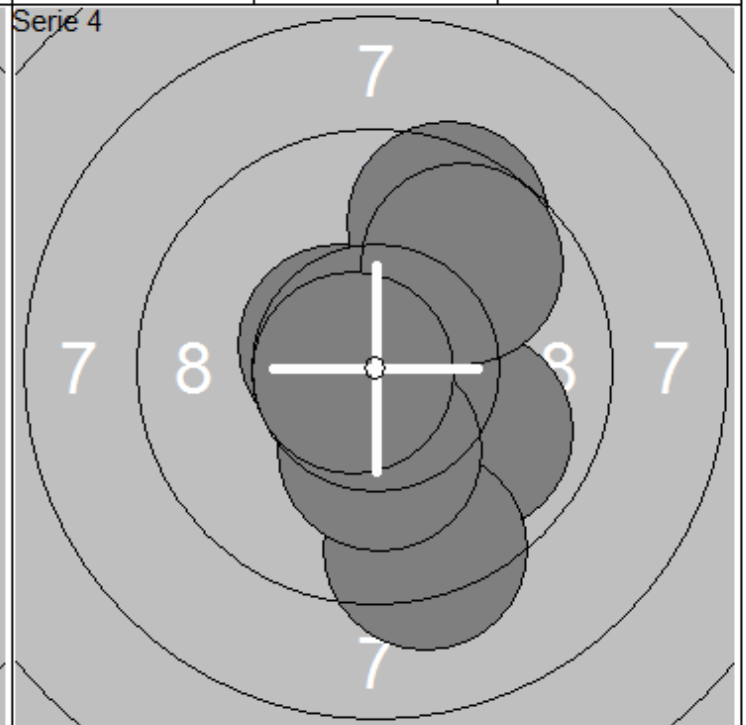
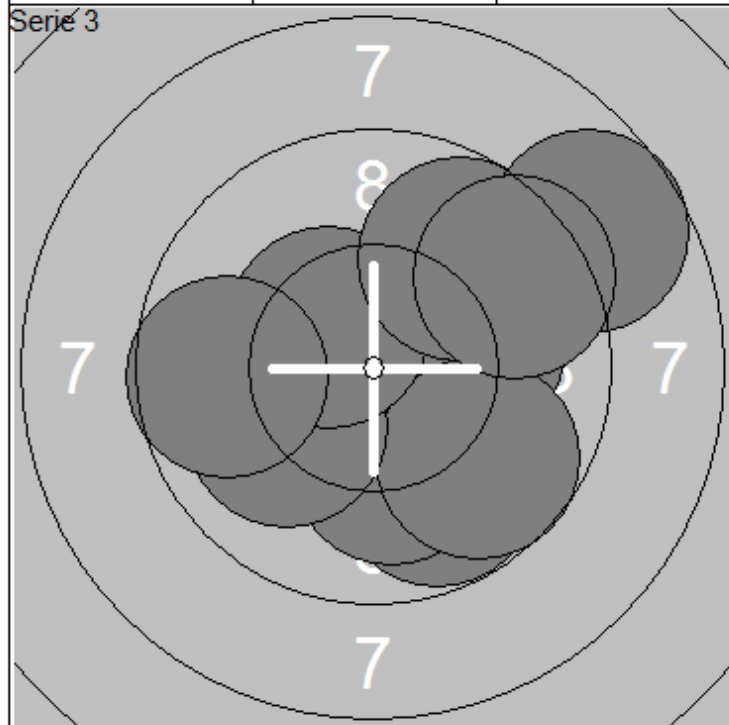
1: 10.5x ↙	6: 10.6x ←	Serie	105.5
2: 10.7x ↓	7: 10.4x →		
3: 10.6x ↙	8: 10.6x ↓	Total	422.5
4: 10.6x ↑	9: 10.7x ↗		
5: 10.3x ↗	10: 10.5x ↙		





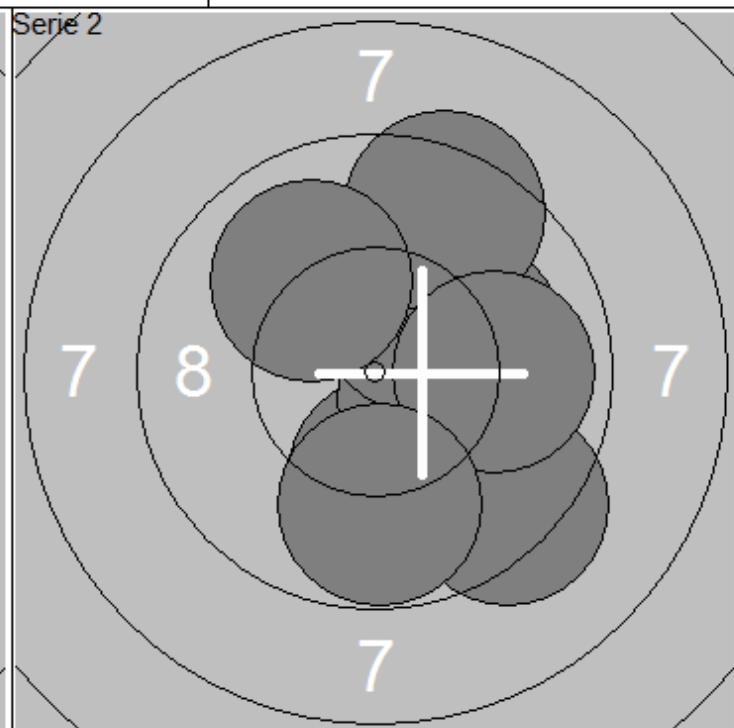
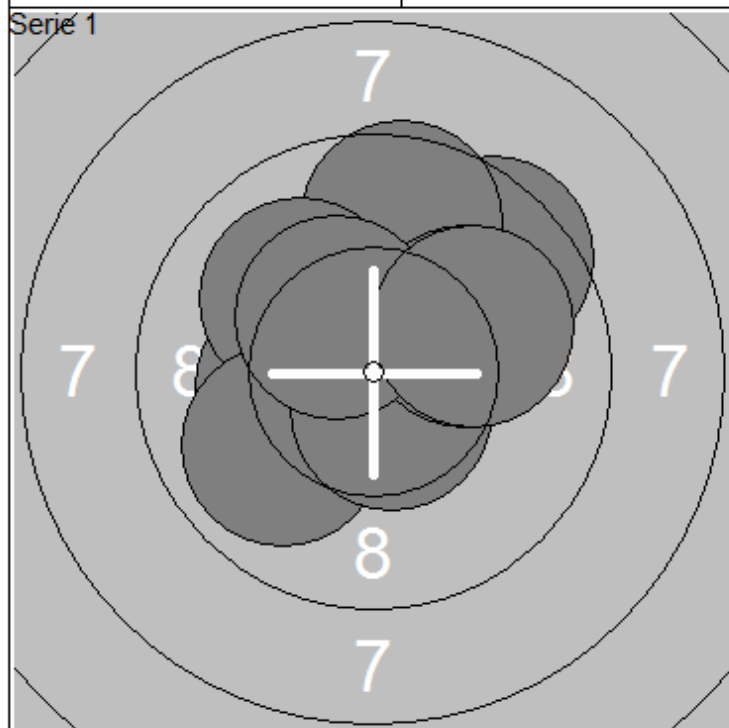
1: 9.6 ↙	6: 10.5x ↗	Serie	102.6
2: 9.8 ↗	7: 10.3x ↙		
3: 10.3x ↖	8: 10.4x ↗	Total	102.6
4: 10.7x ↗	9: 10.6x ↙		
5: 10.1 ↙	10: 10.3x ↗		

1: 10.5x ↙	6: 10.3x →	Serie	102.7
2: 10.5x ↗	7: 9.8 ↘		
3: 10.6x ↖	8: 10.9x	Total	205.3
4: 9.7 ↘	9: 9.8 ↗		
5: 10.3x ↗	10: 10.3x ↘		



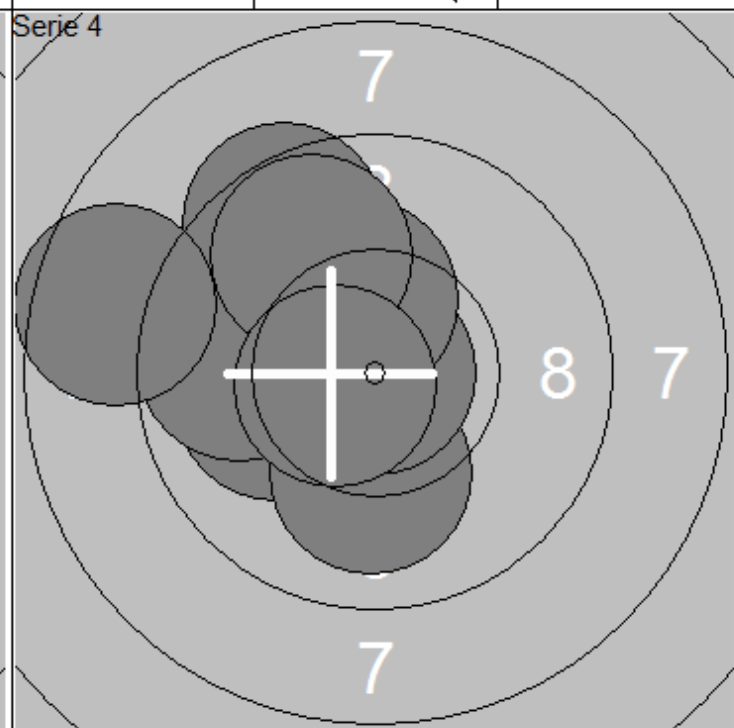
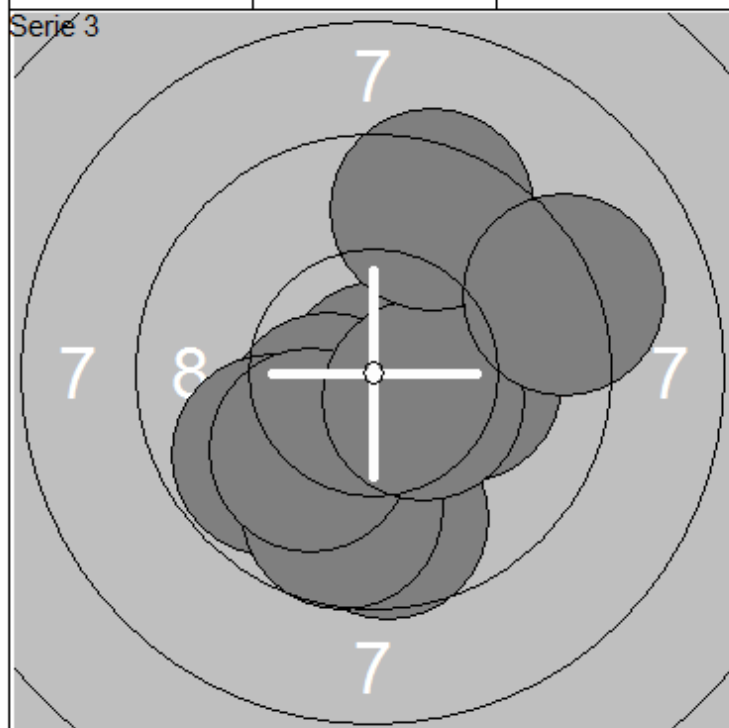
1: 10.1 →	6: 10.4x ↖	Serie	97.6
2: 9.8 ↘	7: 9.7 ↗		
3: 10.1 ↘	8: 8.7 ↗	Total	302.9
4: 9.7 ↘	9: 9.5 ↗		
5: 10.0 ↙	10: 9.6 ←		

1: 9.5 ↗	6: 9.9 ↘	Serie	101.0
2: 9.8 ↘	7: 9.7 ↗		
3: 10.7x ↘	8: 9.3 ↘	Total	403.9
4: 10.6x ↘	9: 10.2x ↘		
5: 10.6x ↗	10: 10.7x ←		



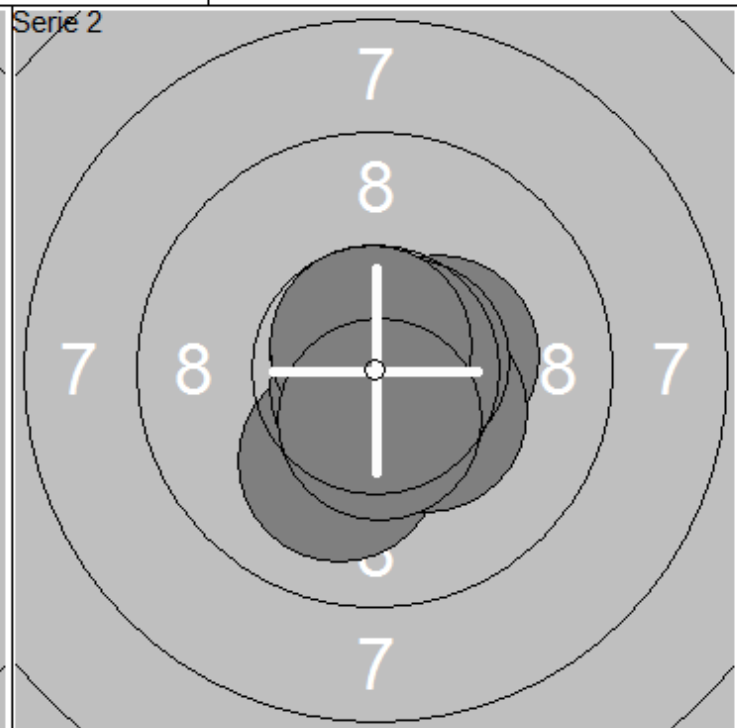
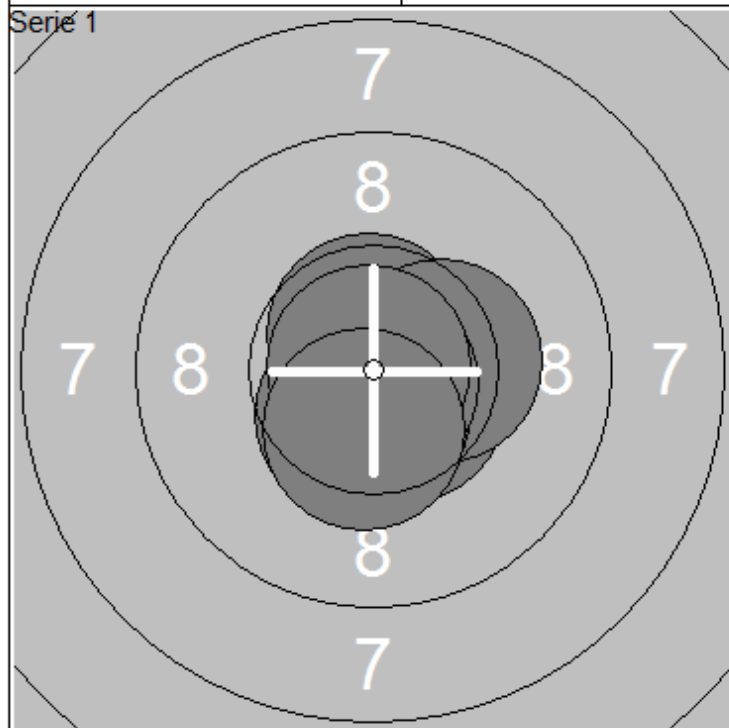
1: 9.5 ↗	6: 9.9 ↙	Serie	100.8
2: 10.2x ←	7: 10.6x ↓		
3: 9.6 ↑	8: 10.0 ↘	Total	100.8
4: 10.7x ↗	9: 10.3x ↗		
5: 10.0 ↖	10: 10.0 ↘		

1: 10.2x →	6: 9.4 ↗	Serie	99.2
2: 10.1 ↗	7: 9.3 ↓		
3: 10.0 ↓	8: 9.9 →	Total	200.0
4: 10.3x →	9: 9.9 ↗		
5: 10.3x ↗	10: 9.8 ↓		



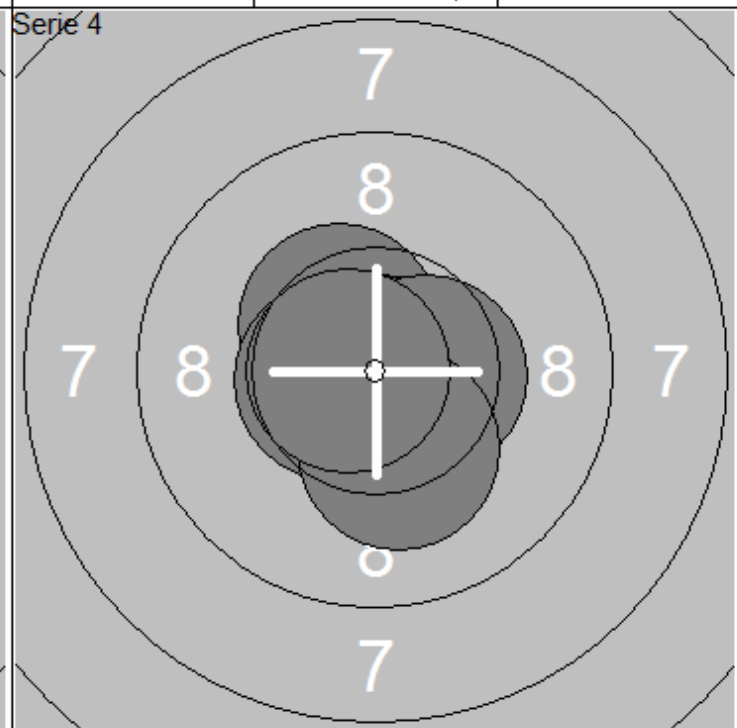
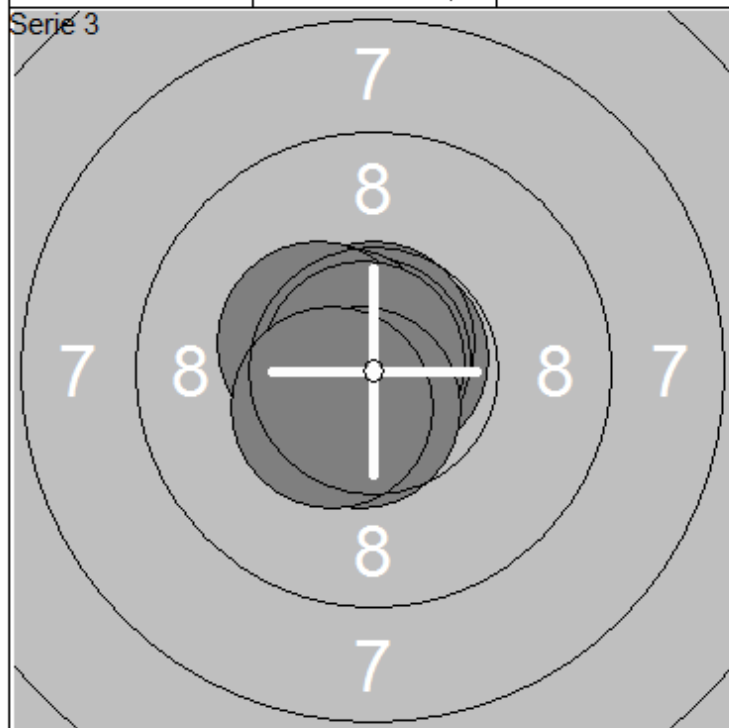
1: 10.8x ↓	6: 9.7 ↓	Serie	99.4
2: 9.6 ↓	7: 10.0 ↓		
3: 10.4x ←	8: 10.4x →	Total	299.4
4: 10.2x →	9: 9.4 ↗		
5: 9.8 ↙	10: 9.1 ↘		

1: 10.7x ←	6: 9.7 ←	Serie	99.8
2: 9.4 ↗	7: 10.3x ↗		
3: 10.0 ←	8: 8.6 ←	Total	399.2
4: 10.0 ↓	9: 9.7 ↗		
5: 10.9x	10: 10.5x ←		



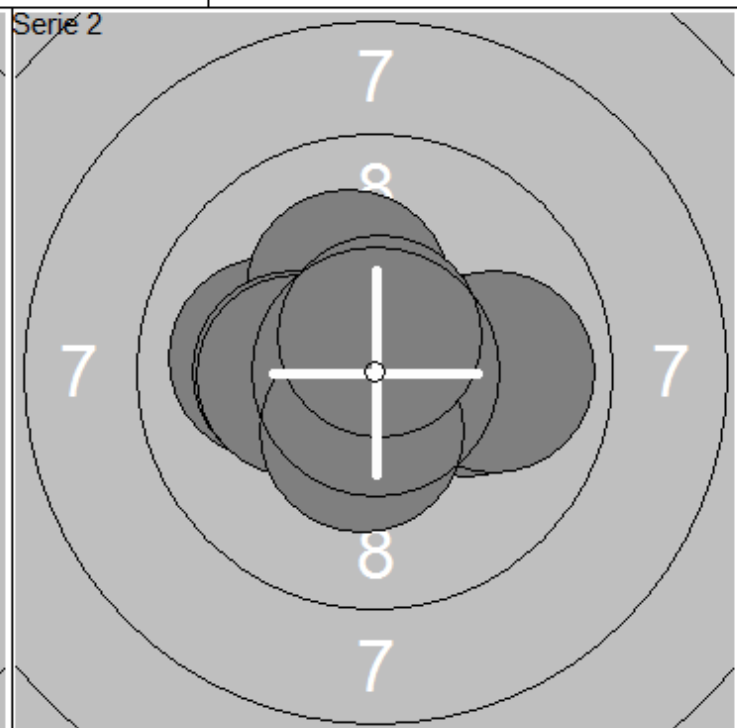
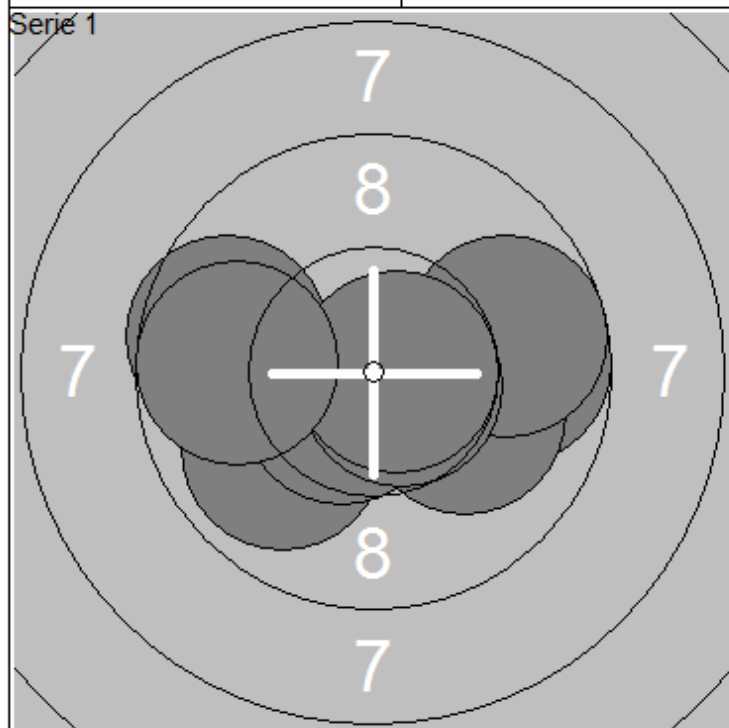
1: 10.6x ↓	6: 10.6x ↓	Serie	106.1
2: 10.5x ↘	7: 10.5x ↓		
3: 10.6x ↑	8: 10.8x ↓	Total	106.1
4: 10.9x ↙	9: 10.9x ↗		
5: 10.3x →	10: 10.4x ↓		

1: 10.1 ↓	6: 10.8x ↓	Serie	105.5
2: 10.5x →	7: 10.6x ↗		
3: 10.4x →	8: 10.8x ↓	Total	211.6
4: 10.3x ↘	9: 10.7x ↑		
5: 10.8x ↗	10: 10.5x ↓		



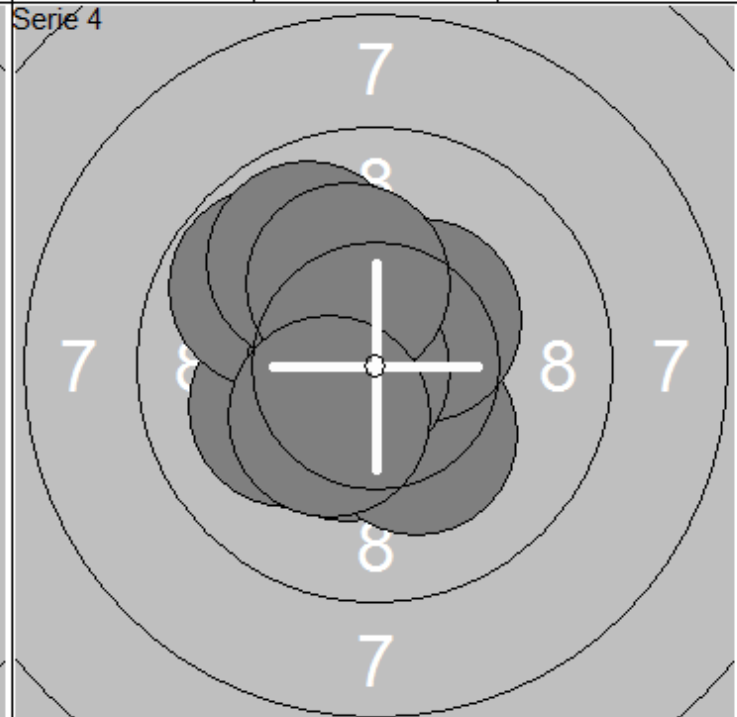
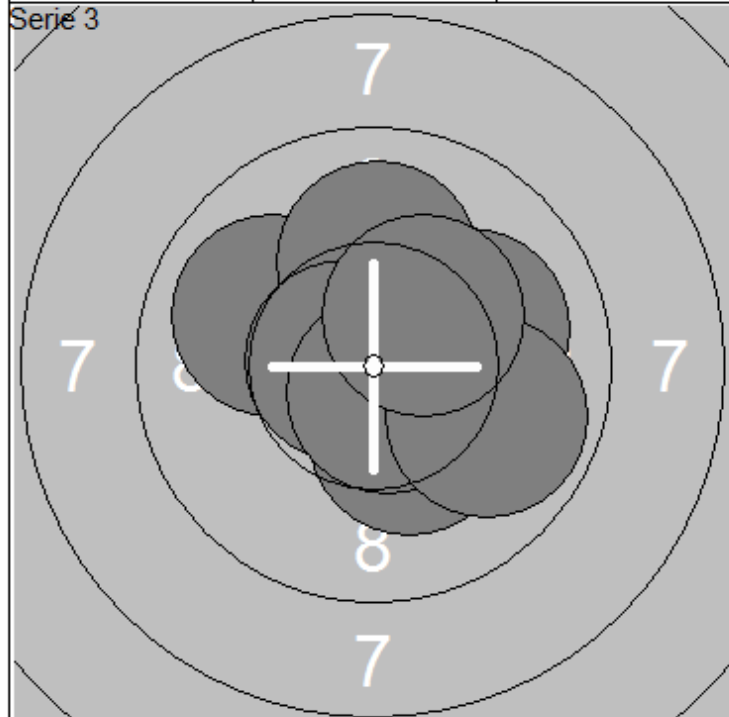
1: 10.8x ↗	6: 10.6x ↗	Serie	106.5
2: 10.6x ↖	7: 10.4x ↗		
3: 10.7x ←	8: 10.8x ↗	Total	318.1
4: 10.7x ↑	9: 10.6x ↓		
5: 10.8x ↗	10: 10.5x ↙		

1: 10.6x ↗	6: 10.9x ↓	Serie	106.0
2: 10.7x →	7: 10.7x ↓		
3: 10.7x ←	8: 10.5x →	Total	424.1
4: 10.4x ↗	9: 10.2x ↓		
5: 10.6x ↖	10: 10.7x ←		



1: 9.6 ↖	6: 9.7 →	Serie	100.6
2: 9.9 ↙	7: 10.5x ↙		
3: 10.1 →	8: 10.7x ↘	Total	100.6
4: 9.7 →	9: 10.7x →		
5: 10.0 ↘	10: 9.7 ←		

1: 10.1 →	6: 9.9 →	Serie	103.1
2: 10.6x ↗	7: 10.2x ←		
3: 10.0 ←	8: 10.3x ←	Total	203.7
4: 10.8x ←	9: 10.4x ↓		
5: 10.2x ↗	10: 10.6x ↑		



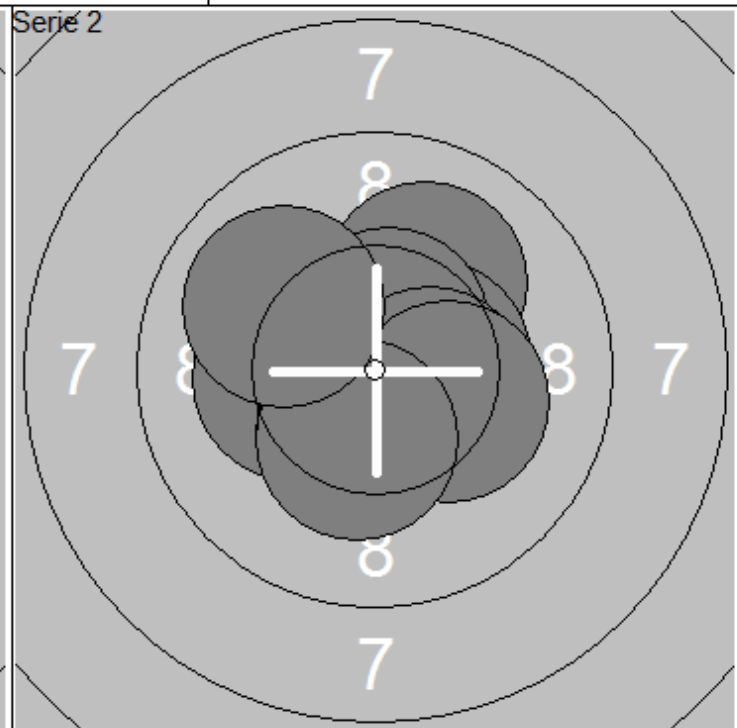
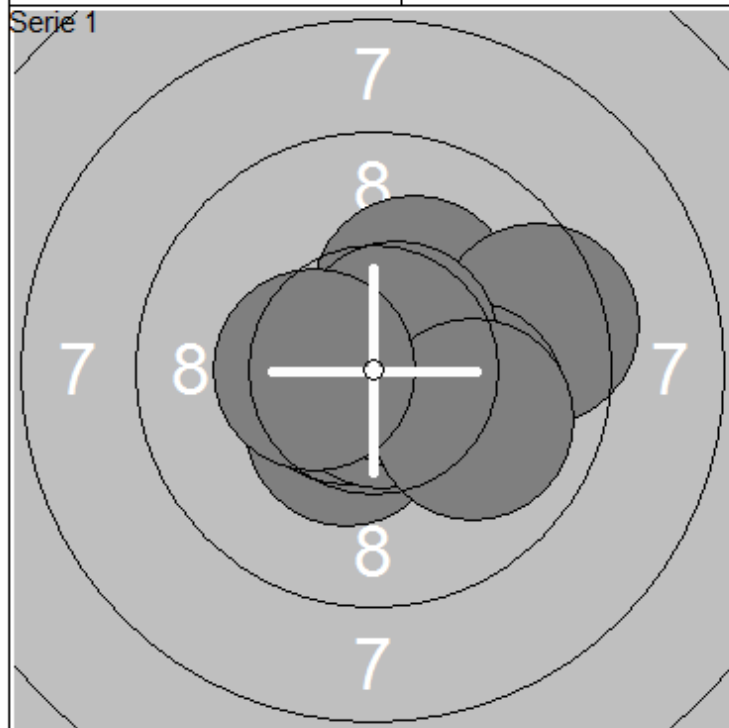
1: 10.0 →	6: 10.0 ↑	Serie	102.9
2: 10.8x →	7: 10.7x ←		
3: 9.9 ↗	8: 10.7x ↘	Total	306.6
4: 10.5x ↘	9: 9.8 ↘		
5: 10.2x ↘	10: 10.3x ↗		

1: 10.1 ←	6: 10.3x ↗	Serie	101.8
2: 10.4x ↙	7: 10.7x ←		
3: 10.2x ↘	8: 9.8 ↗	Total	408.4
4: 10.0 ↗	9: 10.2x ↑		
5: 9.8 ↗	10: 10.3x ↙		

Skjutlag	Tavla	Tero Hänninen	
1	17		

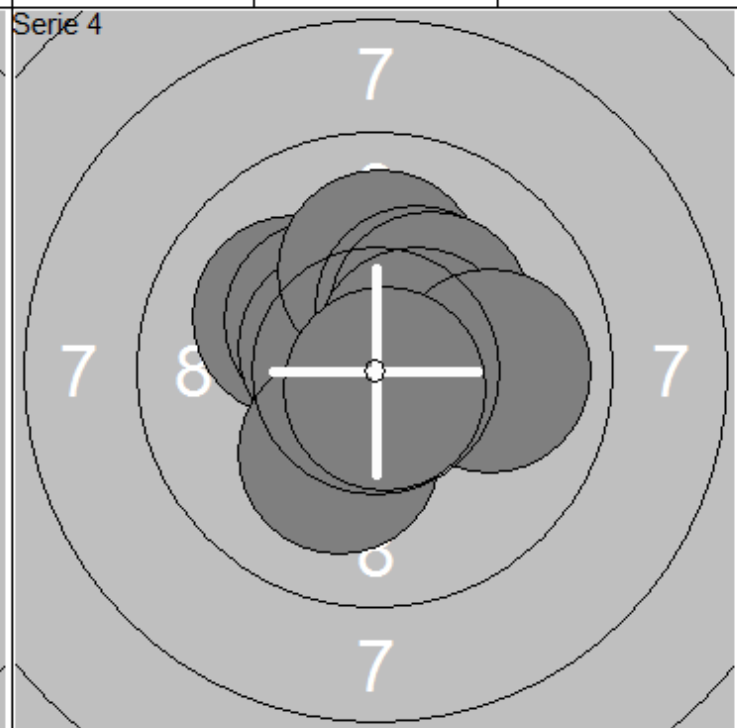
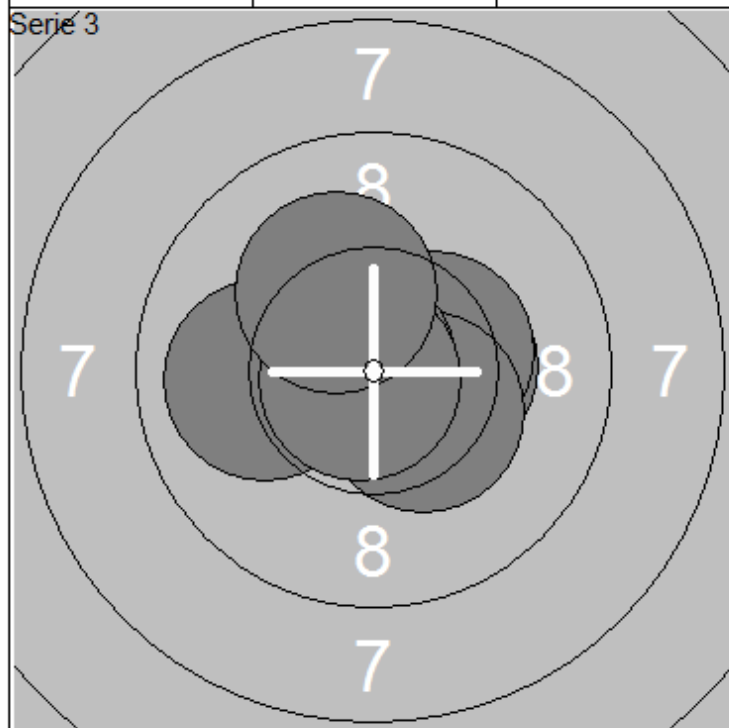
1 Luft	Alvesta SF	SEN	
--------	------------	-----	--

02.04.2022	Discokulan 2022	Alvesta SF	
------------	-----------------	------------	--



1: 10.4x ↙	6: 10.6x →	Serie	103.2
2: 10.7x ↖	7: 10.1 →		
3: 10.2x ↗	8: 10.6x ↗	Total	103.2
4: 9.4 →	9: 10.0 ↘		
5: 10.8x ↘	10: 10.4x ←		

1: 10.0 ↗	6: 10.4x →	Serie	102.8
2: 10.4x →	7: 10.3x ↘		
3: 10.5x ←	8: 10.2x ↘	Total	206.0
4: 10.2x ←	9: 10.3x ↘		
5: 10.6x ↗	10: 9.9 ↗		



1: 10.6x ↖	6: 10.8x ↖	Serie	104.2
2: 10.4x →	7: 10.2x ←		
3: 10.5x →	8: 9.9 ←	Total	310.2
4: 10.4x →	9: 10.8x ↖		
5: 10.4x ↘	10: 10.2x ↗		

1: 10.1 ↗	6: 10.1 ↘	Serie	102.6
2: 10.3x ↗	7: 10.2x ↗		
3: 10.5x ↗	8: 10.5x ↗	Total	412.8
4: 10.0 ↗	9: 9.9 →		
5: 10.3x ↗	10: 10.7x ↘		