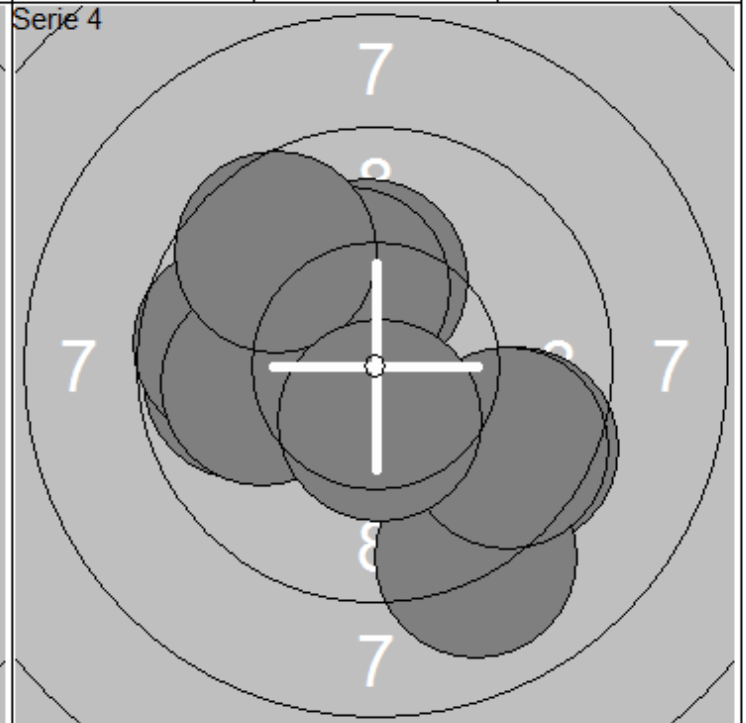
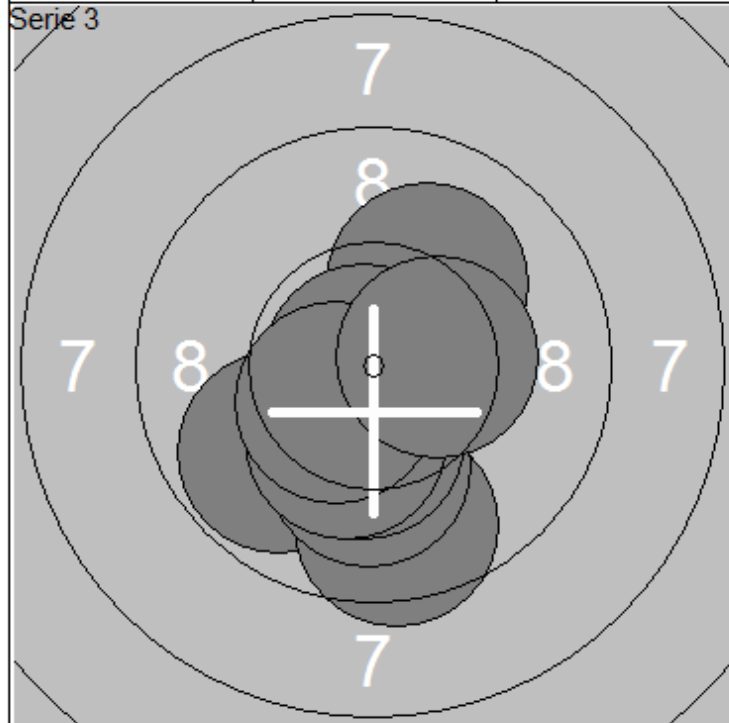


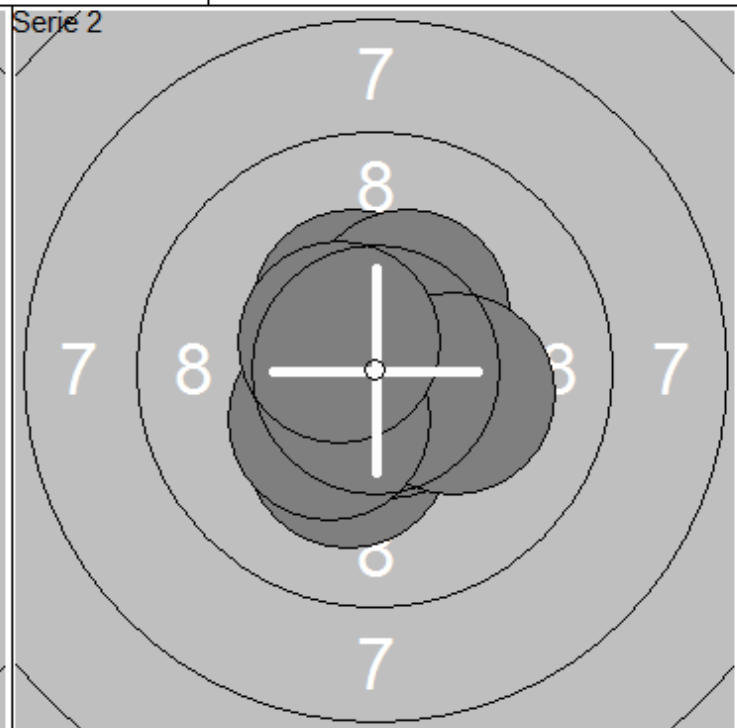
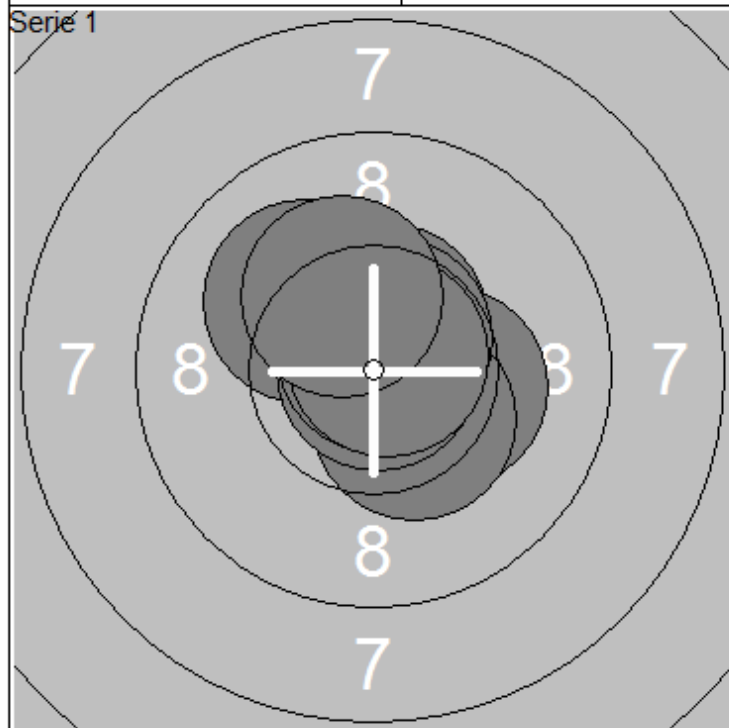
1: 9.3 ↗	6: 10.6x ←	Serie	96.3
2: 10.2x ↘	7: 10.0 ↘		
3: 8.5 →	8: 10.1 ↗	Total	96.3
4: 9.3 ↗	9: 10.7x ↘		
5: 8.4 ↘	10: 9.2 ↗		

1: 10.2x ↙	6: 9.5 ↘	Serie	99.5
2: 10.2x ←	7: 9.5 ↗		
3: 10.0 ↙	8: 10.4x ↗	Total	195.8
4: 9.7 ←	9: 10.2x ↗		
5: 10.1 ↘	10: 9.7 ↘		



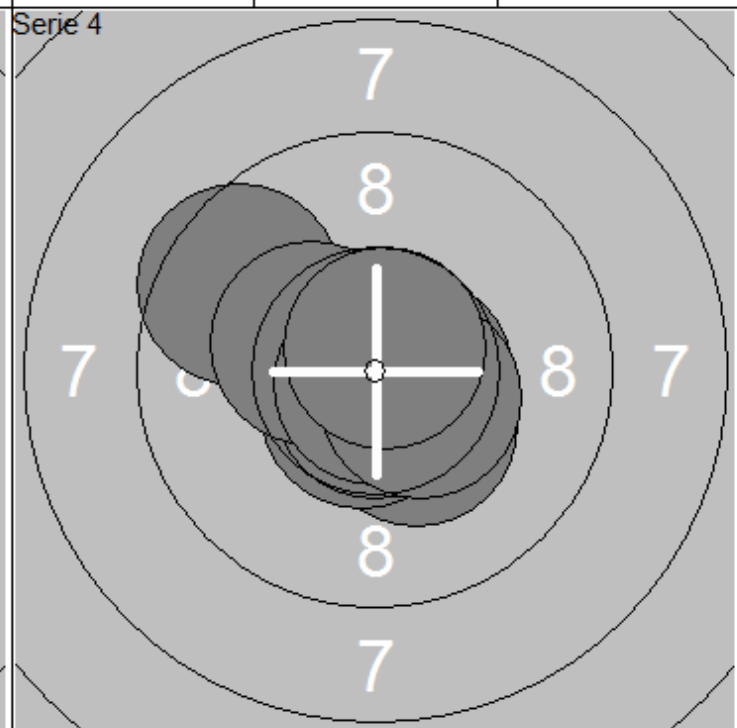
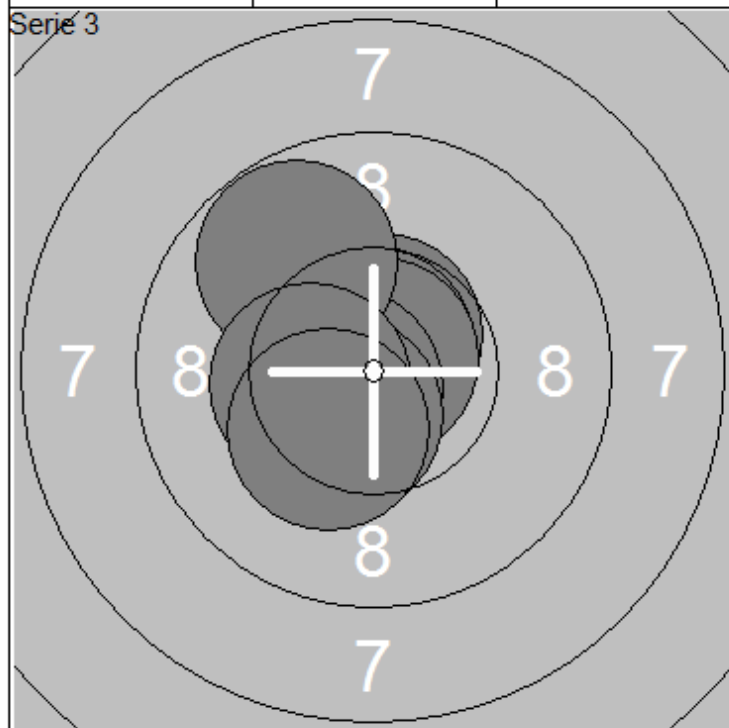
1: 9.8 ↙	6: 10.3x ↘	Serie	102.4
2: 10.1 ↗	7: 10.8x ←		
3: 10.8x ↘	8: 10.2x ↘	Total	298.2
4: 9.5 ↘	9: 10.5x ↙		
5: 10.1 ↘	10: 10.3x →		

1: 9.5 ↘	6: 10.2x ↗	Serie	97.7
2: 9.0 ↘	7: 9.7 ←		
3: 9.8 ←	8: 9.9 ←	Total	395.9
4: 9.5 ↘	9: 9.6 ↗		
5: 10.1 ↗	10: 10.4x ↘		



1: 10.1 ↖	6: 10.9x ↗	Serie	105.4
2: 10.5x ↑	7: 10.9x →		
3: 10.3x →	8: 10.8x ↑	Total	105.4
4: 10.3x ↘	9: 10.8x ↗		
5: 10.6x ↗	10: 10.2x ↑		

1: 10.7x ↖	6: 10.8x ↖	Serie	104.6
2: 10.4x ↑	7: 10.7x ↘		
3: 10.2x ↘	8: 10.2x ↘	Total	210.0
4: 10.5x →	9: 10.3x ↘		
5: 10.3x ↗	10: 10.5x ↗		



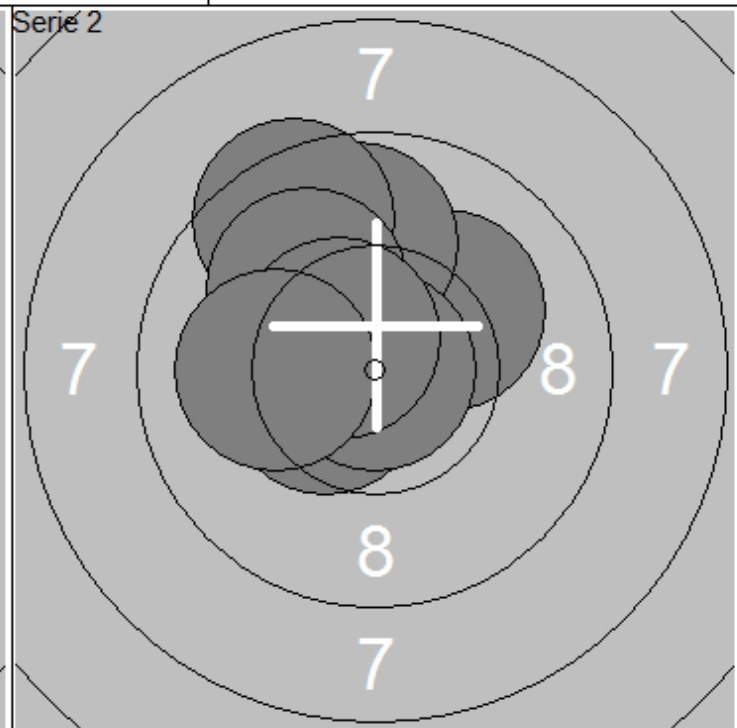
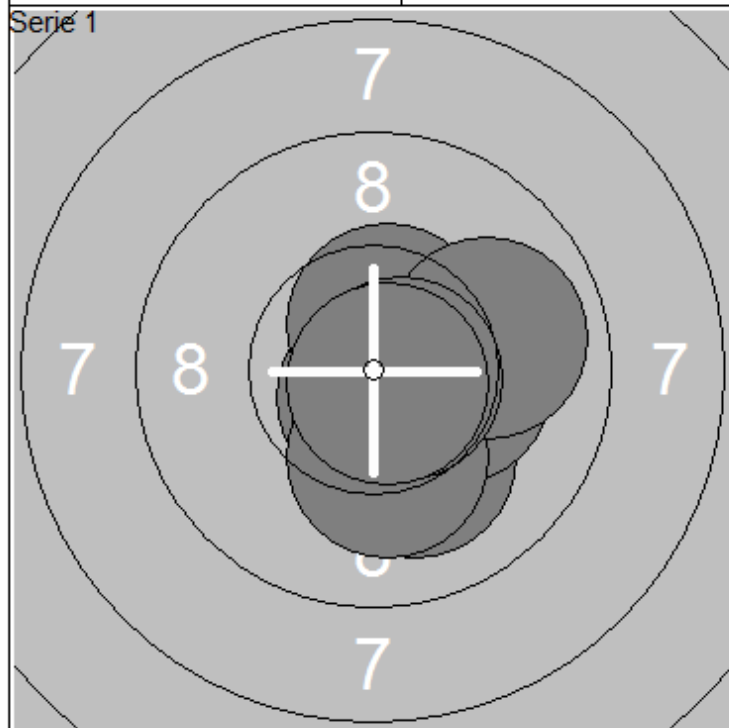
1: 10.6x ↑	6: 10.6x ↖	Serie	104.5
2: 10.5x ←	7: 9.7 ↖		
3: 10.7x ↑	8: 10.4x ↘	Total	314.5
4: 10.6x ←	9: 10.3x ←		
5: 10.8x ↗	10: 10.3x ↘		

1: 10.9x	6: 10.7x ↘	Serie	104.9
2: 10.3x ↘	7: 10.3x ↖		
3: 9.5 ↗	8: 10.8x ↘	Total	419.4
4: 10.6x →	9: 10.5x ↘		
5: 10.6x ↘	10: 10.7x ↗		

Skjutlag	Tavla	Emma Lindén	
3	11		

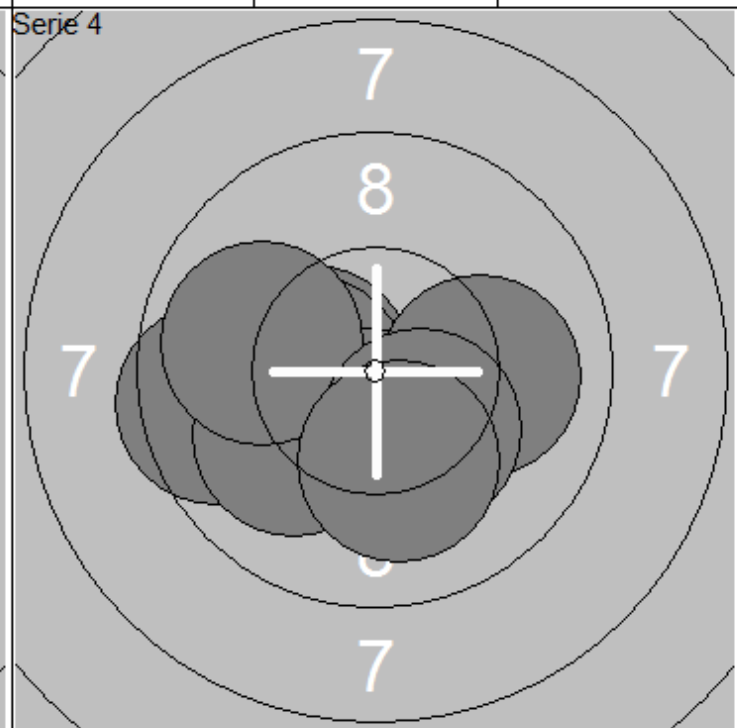
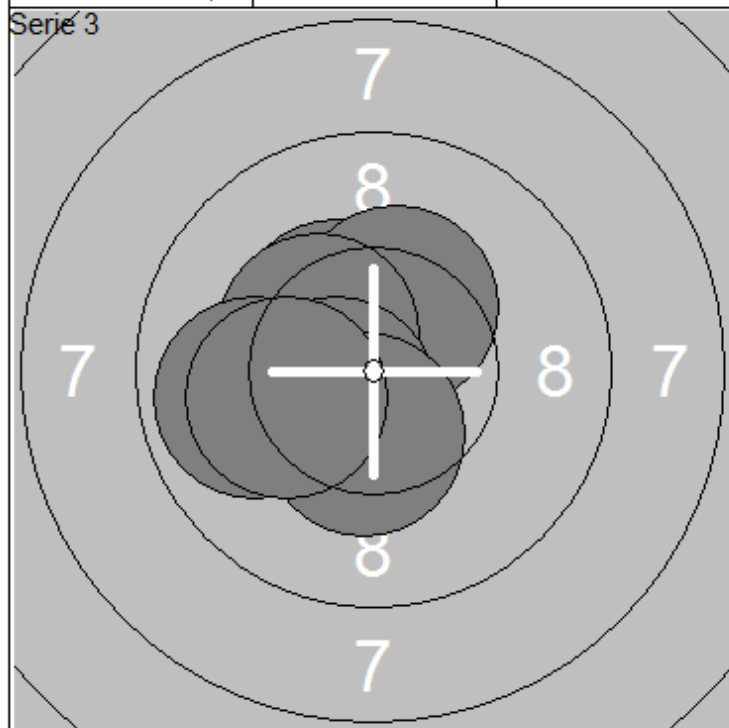
1 Luft	Bäckseda SKF	JUN	
--------	--------------	-----	--

02.04.2022	Discokulan 2022	Alvesta SF	
------------	-----------------	------------	--



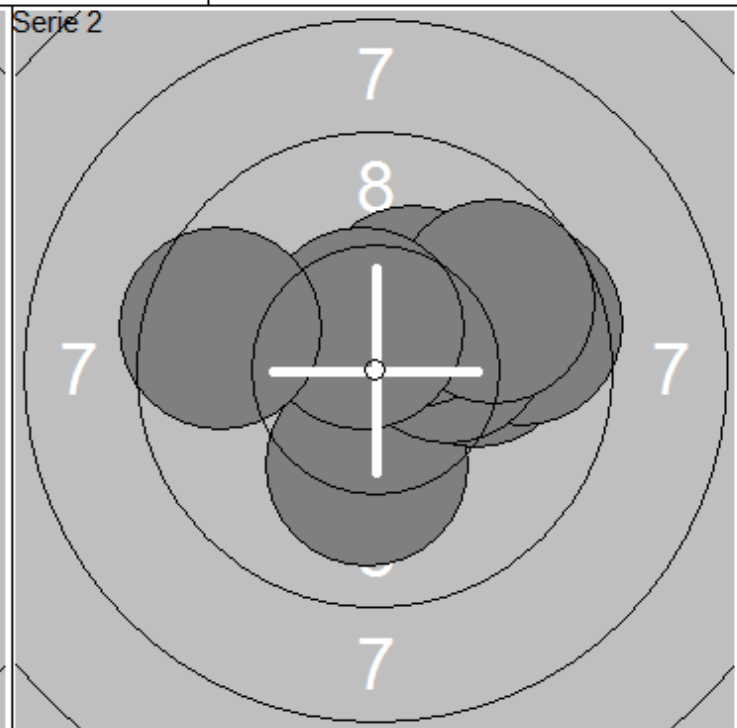
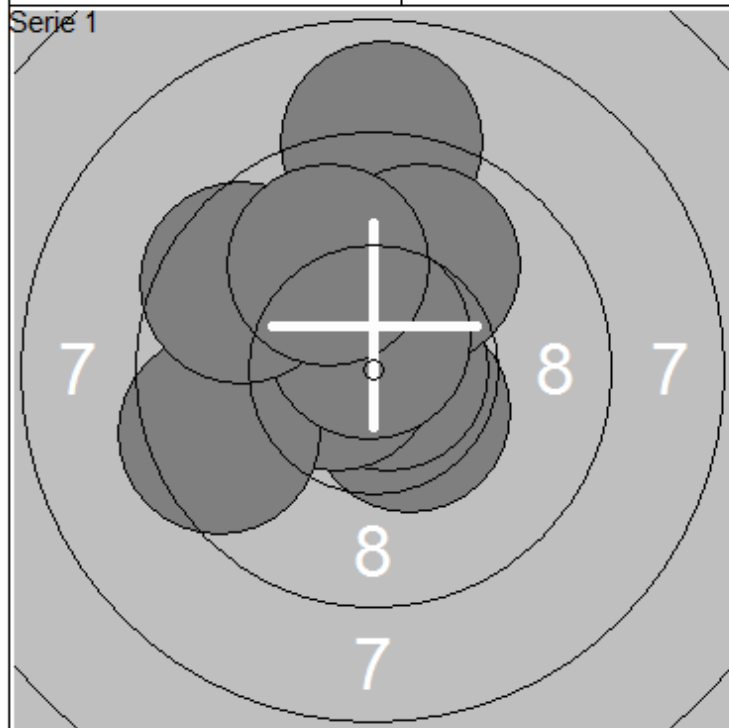
1: 10.4x →	6: 10.2x ↓	Serie	104.1
2: 10.1 ↘	7: 10.5x ↗		
3: 10.5x ↓	8: 9.9 →	Total	104.1
4: 10.3x →	9: 10.7x ↓		
5: 10.7x ↓	10: 10.8x ↘		

1: 10.3x ↗	6: 10.9x	Serie	101.7
2: 10.1 ↗	7: 9.4 ↗		
3: 10.3x ↗	8: 10.0 ↗	Total	205.8
4: 9.8 ↗	9: 10.5x ↗		
5: 10.4x ↙	10: 10.0 ←		



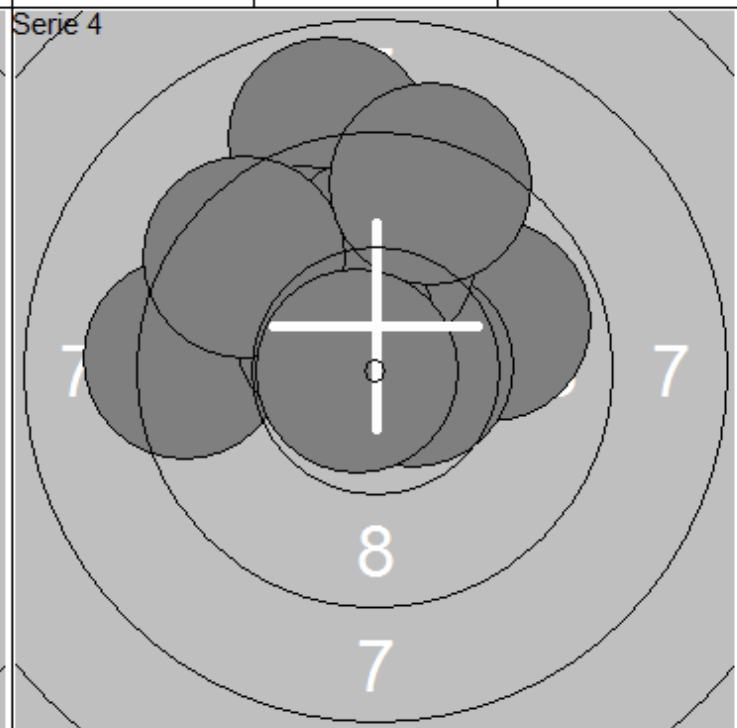
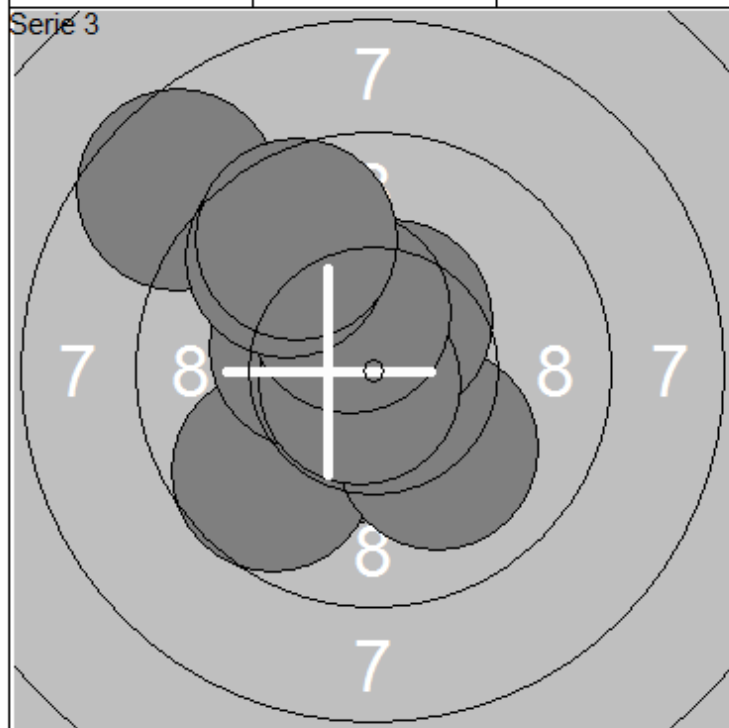
1: 10.4x ↗	6: 10.4x ↗	Serie	103.6
2: 10.4x ↗	7: 10.5x ↘		
3: 10.6x ↗	8: 10.4x ↓	Total	309.4
4: 10.6x ↖	9: 9.9 ←		
5: 10.3x ↗	10: 10.1 ←		

1: 9.7 ←	6: 10.0 ←	Serie	100.6
2: 10.4x ←	7: 9.9 ↗		
3: 9.5 ←	8: 10.0 →	Total	410.0
4: 10.3x ←	9: 10.3x ↓		
5: 10.4x ↓	10: 10.1 ↓		



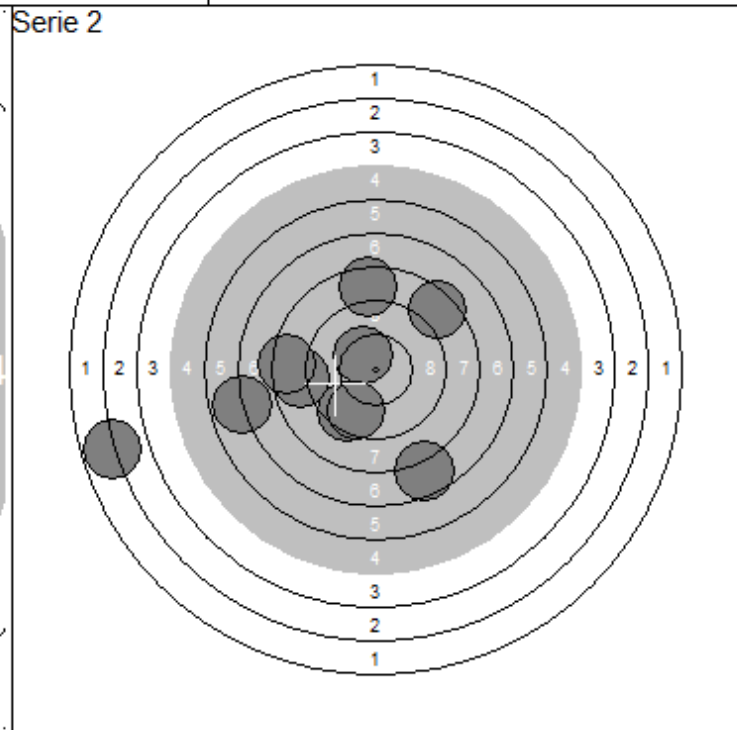
1: 10.5x ↘	6: 10.4x ↗	Serie	100.6
2: 10.8x →	7: 9.9 ↗		
3: 8.9 ↗	8: 10.6x ↗	Total	100.6
4: 10.6x ←	9: 9.5 ↖		
5: 9.5 ↙	10: 9.9 ↗		

1: 10.5x ↗	6: 10.2x ↘	Serie	100.8
2: 10.1 ↘	7: 10.3x ↗		
3: 10.0 →	8: 9.7 ↗	Total	201.4
4: 9.6 →	9: 10.6x ↗		
5: 10.3x ↗	10: 9.5 ←		



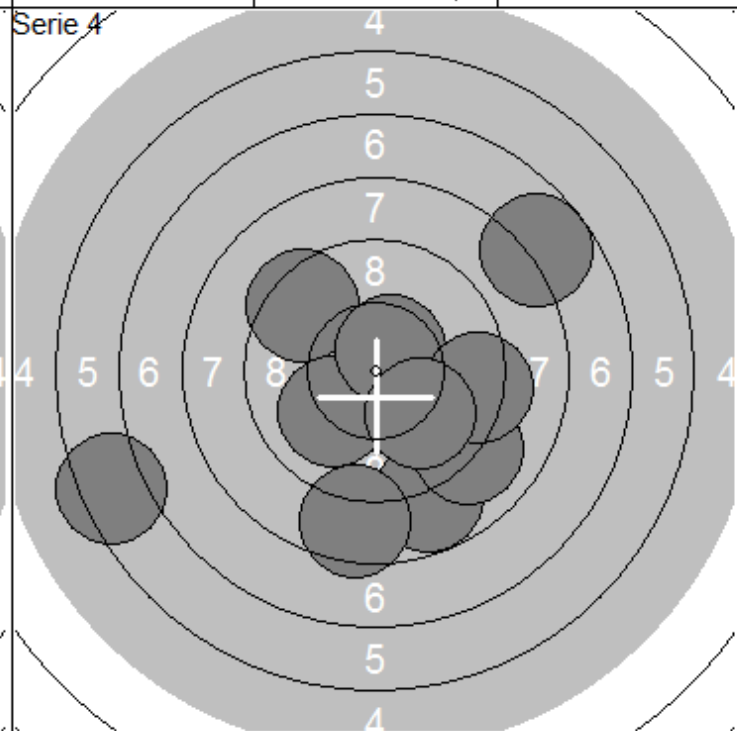
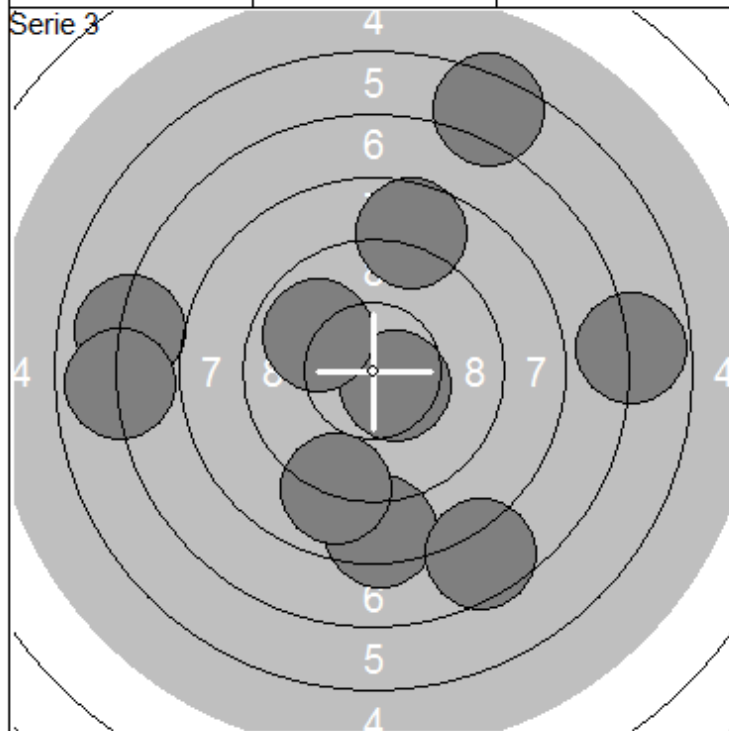
1: 10.5x ↘	6: 10.5x ↗	Serie	100.1
2: 9.7 ↘	7: 10.8x ↙		
3: 10.0 ↘	8: 10.4x ↗	Total	301.5
4: 10.3x ↗	9: 9.7 ↗		
5: 8.6 ↗	10: 9.6 ↗		

1: 9.8 →	6: 9.9 ↗	Serie	98.0
2: 8.8 ↗	7: 10.4x ↙		
3: 9.8 ↗	8: 9.4 ↖	Total	399.5
4: 9.3 ←	9: 9.2 ↗		
5: 10.6x →	10: 10.8x ←		



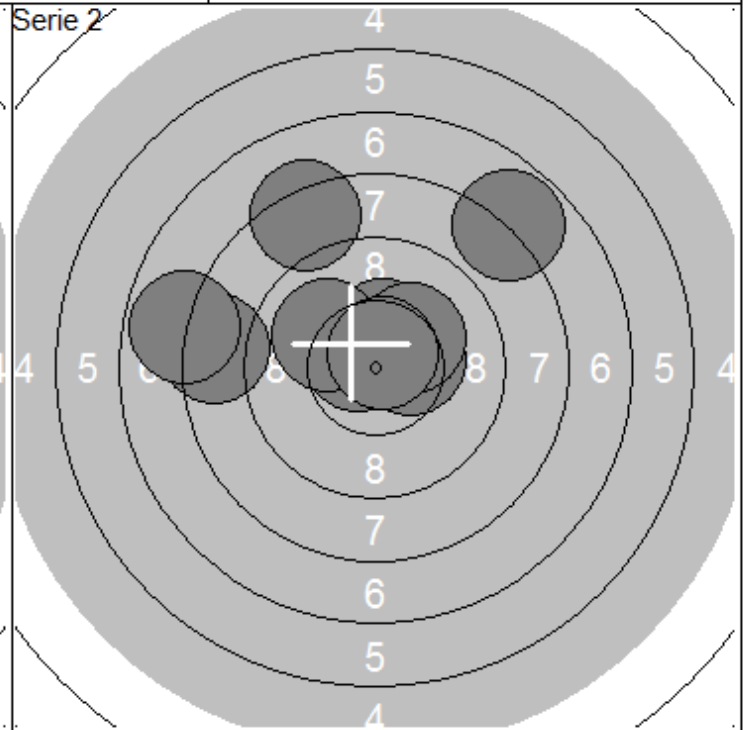
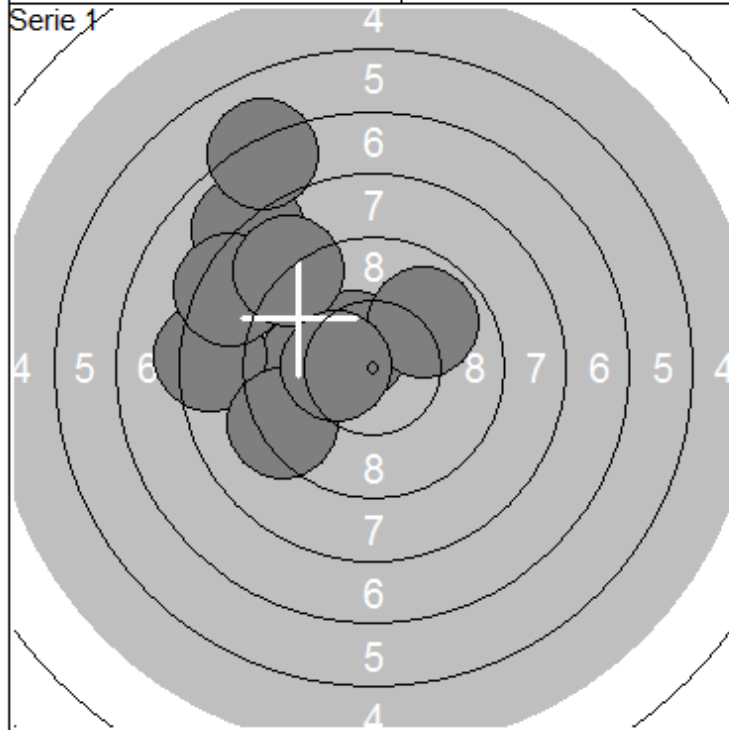
1: 8.3 ↙	6: 8.2 ↓		Serie	87.0
2: 7.4 →	7: 8.6 →			
3: 8.4 ↘	8: 8.4 →		Total	87.0
4: 10.3x ↗	9: 8.7 ↗			
5: 10.2x ↗	10: 8.5 ↖			

1: 8.7 ←	6: 9.4 ↘		Serie	80.3
2: 2.8 ←	7: 9.6 ↘			
3: 6.8 ←	8: 8.3 ↗		Total	167.3
4: 10.3x ↗	9: 7.6 ↓			
5: 8.3 ←	10: 8.5 ↑			



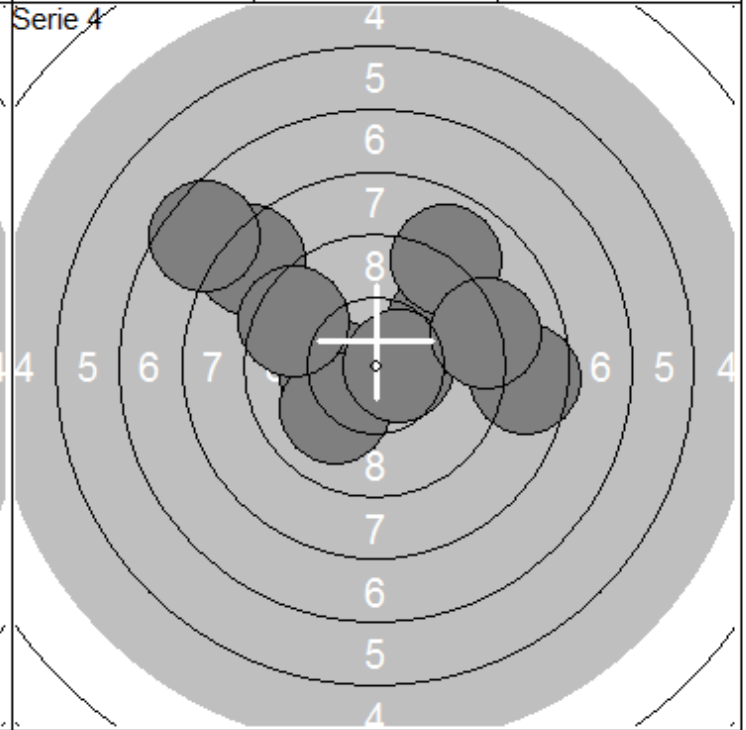
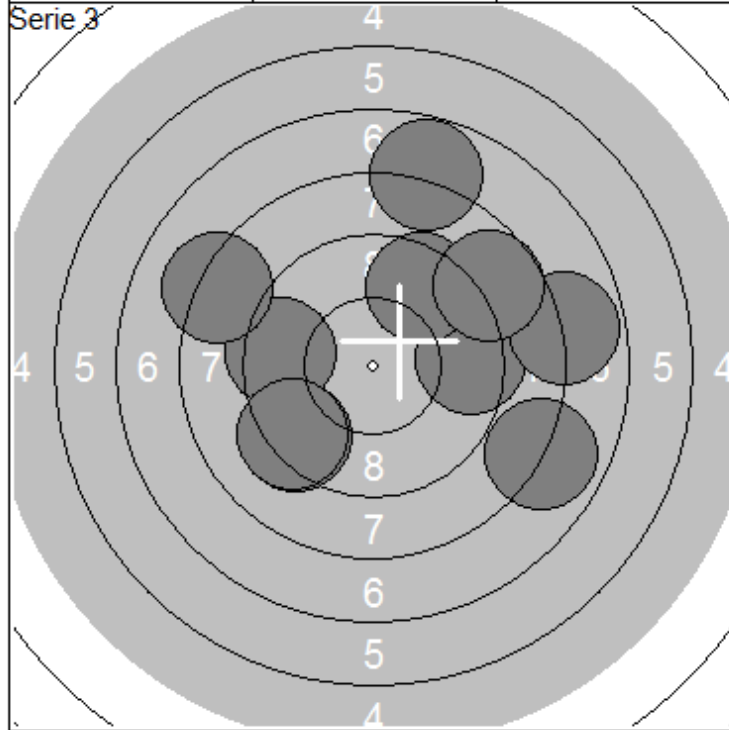
1: 7.0 ←	6: 6.4 ↗		Serie	81.1
2: 8.4 ↓	7: 10.5x ↘			
3: 7.5 ↓	8: 9.9 ↗		Total	248.4
4: 8.7 ↗	9: 9.0 ↓			
5: 6.9 ←	10: 6.8 →			

1: 7.7 ↗	6: 10.5x ↗		Serie	89.4
2: 9.4 ↗	7: 9.0 ↘			
3: 8.8 ↓	8: 8.5 ↓		Total	337.8
4: 6.3 ←	9: 9.3 →			
5: 10.0 ↘	10: 9.9 ↘			



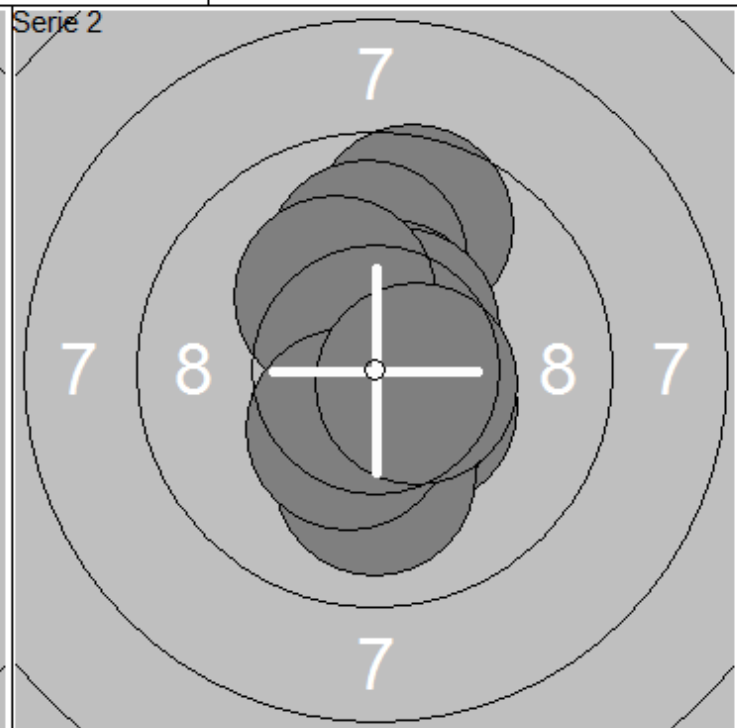
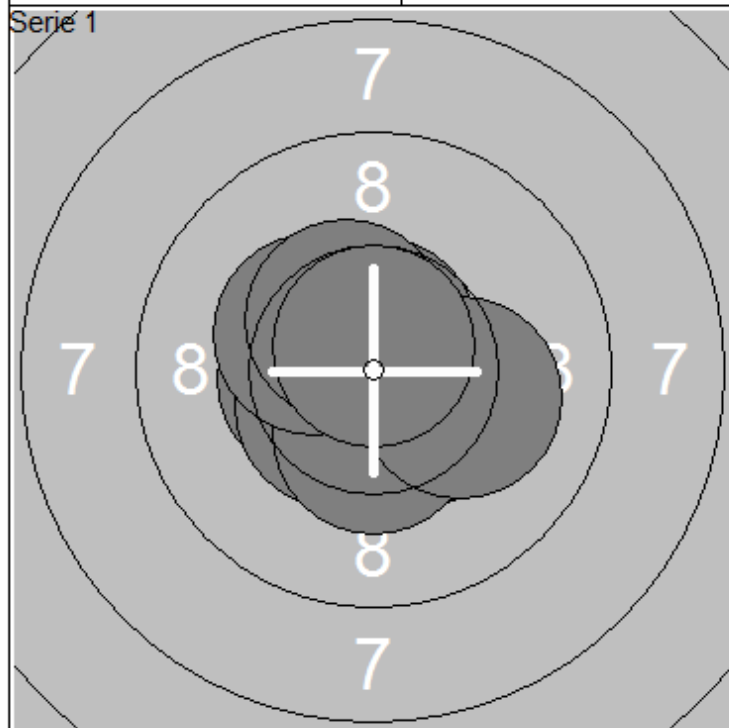
1: 8.0 ↗	6: 8.3 ←	Serie	90.3
2: 10.4x ↗	7: 8.3 ↖		
3: 9.9 ↗	8: 9.3 ↘	Total	90.3
4: 9.9 ←	9: 8.8 ↗		
5: 7.1 ↗	10: 10.3x ←		

1: 10.4x →	6: 8.3 ←	Serie	94.4
2: 10.6x ↖	7: 8.2 ↗		
3: 7.8 ↗	8: 10.0 ↗	Total	184.7
4: 10.4x ↑	9: 7.8 ←		
5: 10.2x ↗	10: 10.7x ↗		



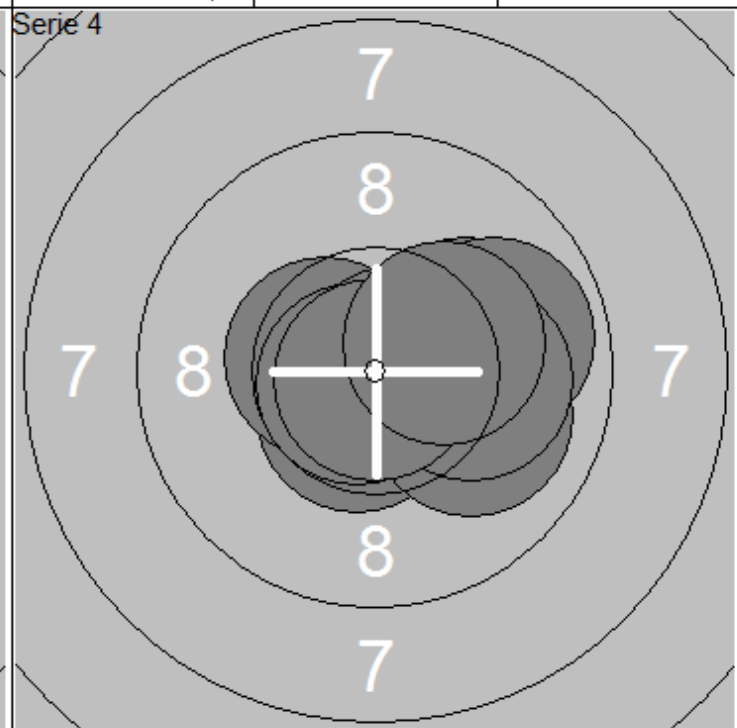
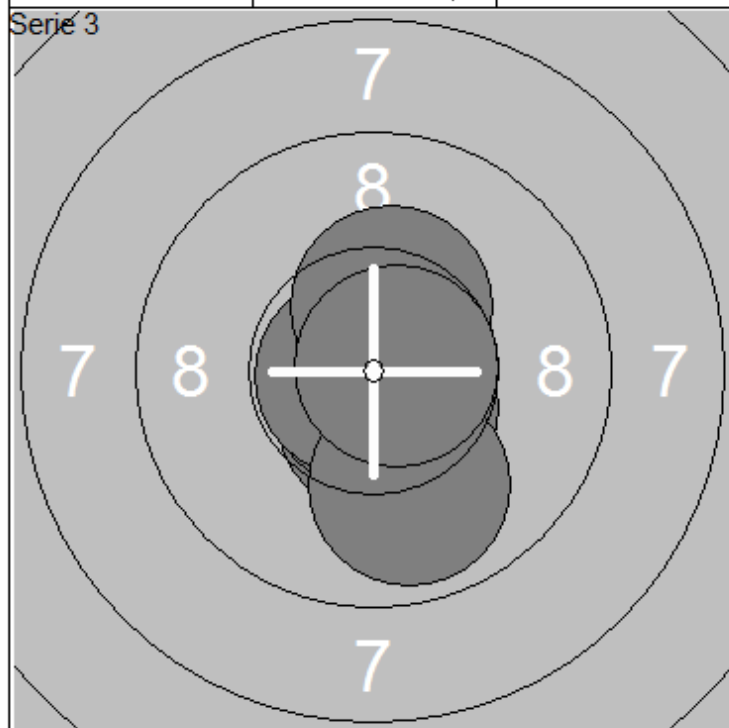
1: 9.2 ↖	6: 9.2 ↖	Serie	87.1
2: 7.9 ↘	7: 9.5 ↗		
3: 9.4 ←	8: 8.2 ↖	Total	271.8
4: 7.8 ↑	9: 7.8 →		
5: 9.4 →	10: 8.7 ↗		

1: 9.6 ↗	6: 10.0 ↖	Serie	92.2
2: 8.3 ↖	7: 7.5 ↗		
3: 8.5 →	8: 9.4 ↗	Total	364.0
4: 8.9 ↗	9: 10.6x →		
5: 10.3x ←	10: 9.1 →		



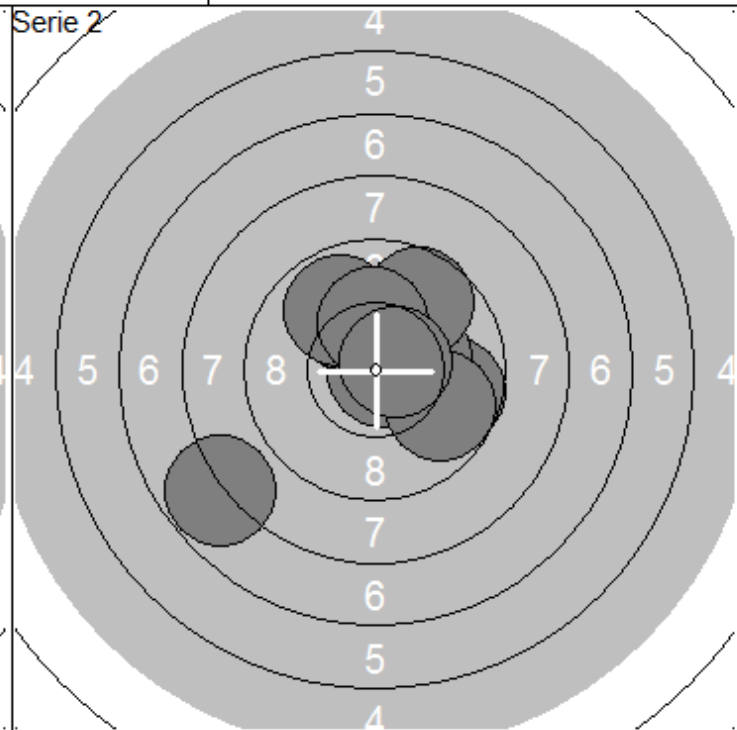
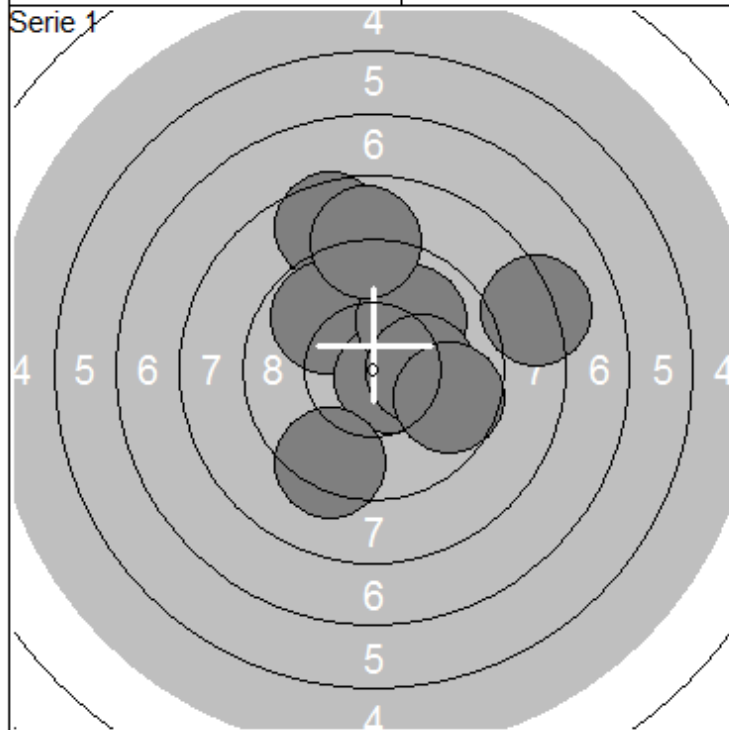
1: 10.4x ↘	6: 10.7x ↗	Serie	104.5
2: 10.4x ←	7: 10.6x ↗		
3: 10.5x ↙	8: 10.1 ↘	Total	104.5
4: 10.4x ↓	9: 10.4x ↗		
5: 10.3x ↗	10: 10.7x ↗		

1: 10.4x ↘	6: 10.5x ↗	Serie	102.7
2: 10.6x ↘	7: 10.5x ↗		
3: 10.0 ↓	8: 10.2x ↗	Total	207.2
4: 9.6 ↗	9: 10.3x ↘		
5: 10.0 ↗	10: 10.6x ↘		



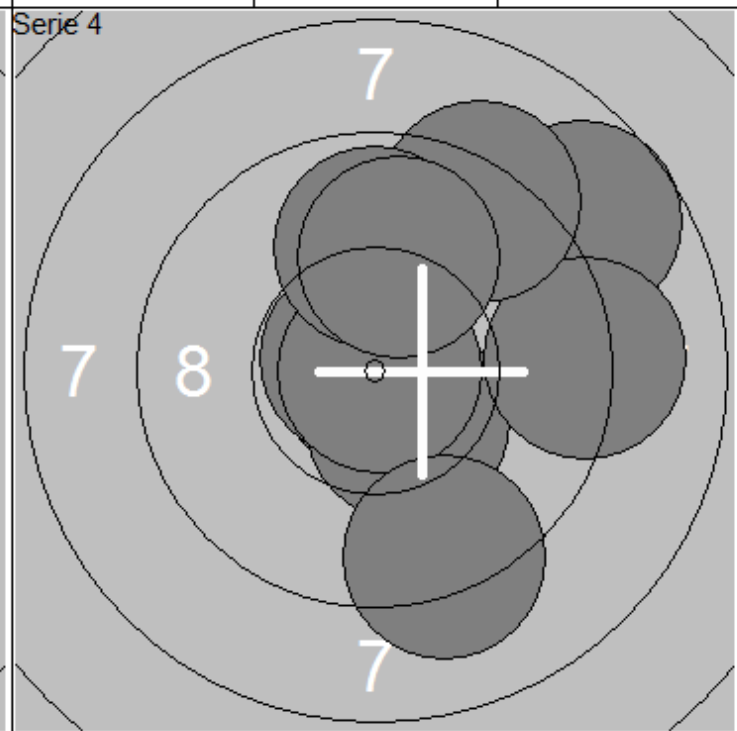
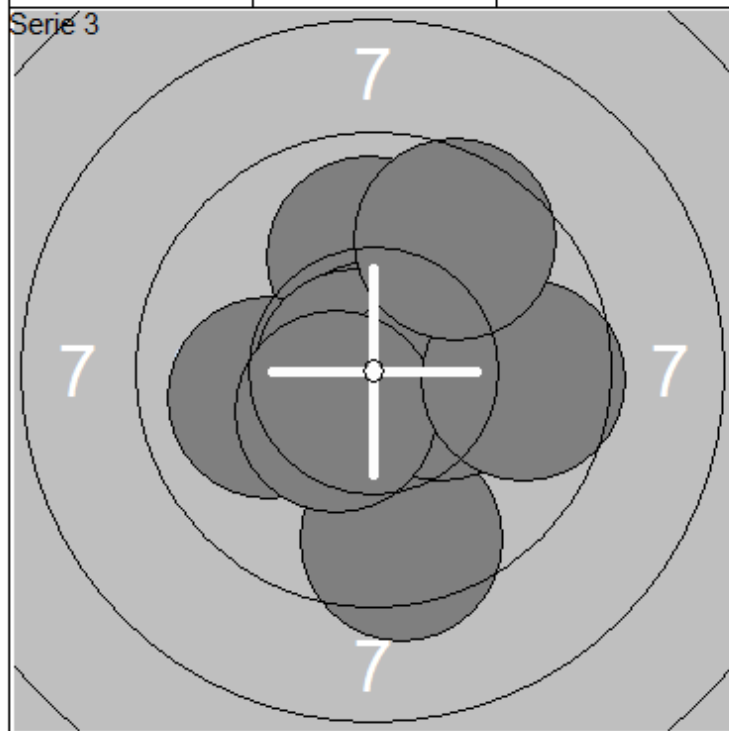
1: 10.7x →	6: 10.8x ↓	Serie	105.8
2: 10.5x ↓	7: 10.7x ←		
3: 10.6x ↓	8: 10.3x ↗	Total	313.0
4: 10.8x ↓	9: 9.9 ↓		
5: 10.8x ↗	10: 10.7x →		

1: 10.6x ↓	6: 10.7x →	Serie	103.6
2: 10.5x ←	7: 9.8 →		
3: 10.0 →	8: 10.1 →	Total	416.6
4: 10.7x ↓	9: 10.8x ↓		
5: 10.1 →	10: 10.3x →		



1: 8.5 ↗	6: 9.9 ↗	Serie	95.0
2: 9.9 ↗	7: 10.2x →		
3: 8.2 ↘	8: 8.9 ↑	Total	95.0
4: 9.8 ↗	9: 9.3 ↓		
5: 10.6x ↘	10: 9.7 ↘		

1: 10.8x →	6: 9.8 ↗	Serie	98.5
2: 9.9 ↗	7: 9.8 ↘		
3: 9.7 ↘	8: 10.2x ↑	Total	193.5
4: 10.2x →	9: 7.8 ↙		
5: 9.7 ↗	10: 10.6x →		



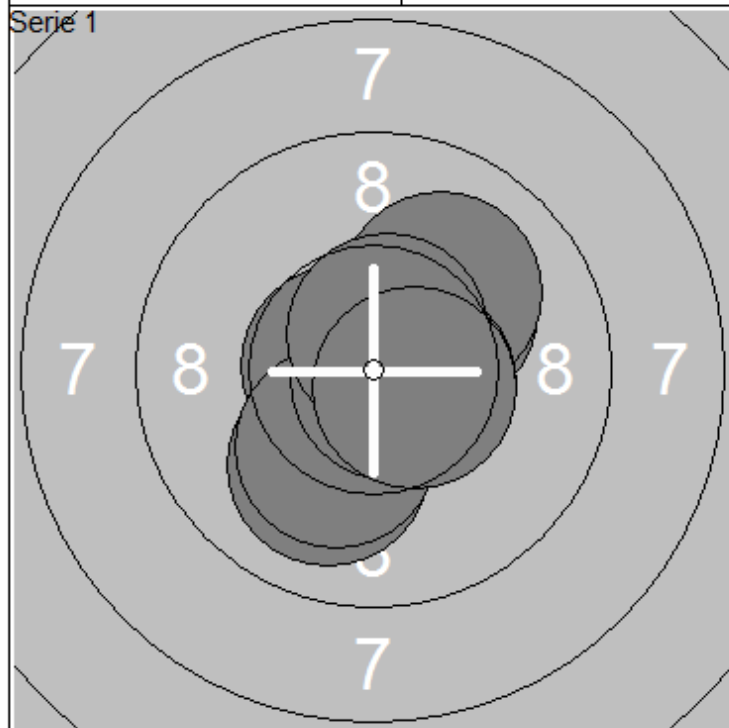
1: 9.9 ↑	6: 10.3x →	Serie	100.4
2: 10.0 ←	7: 9.6 →		
3: 9.4 ↓	8: 10.4x ↙	Total	293.9
4: 10.8x ↑	9: 9.6 →		
5: 10.8x ←	10: 9.6 ↗		

1: 10.9x	6: 9.1 →	Serie	99.0
2: 10.8x ↗	7: 9.2 ↗		
3: 10.4x ↘	8: 9.9 ↑	Total	392.9
4: 10.9x →	9: 9.9 ↑		
5: 8.7 ↗	10: 9.2 ↓		

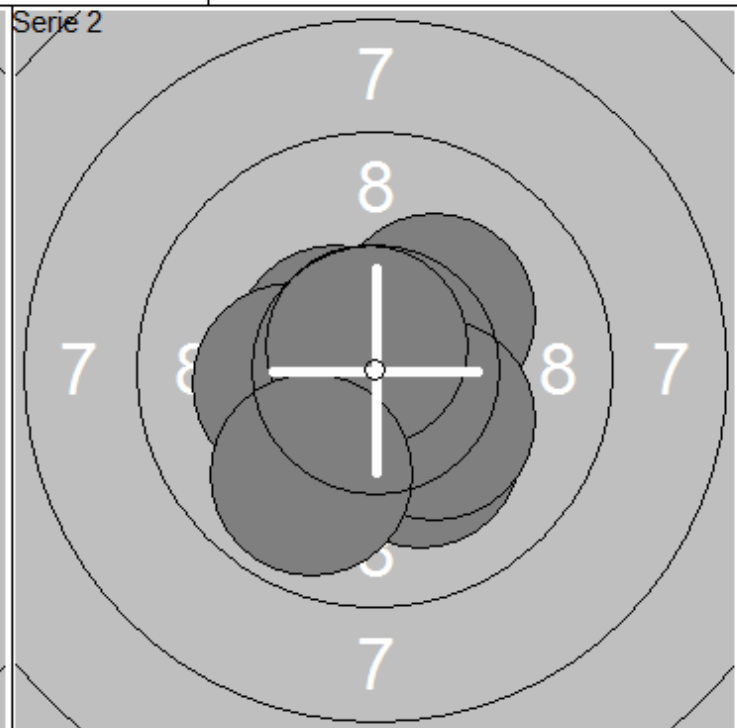
Skjutlag	Tavla	Maria Helmuth	
3	1		

1 Luft	Karlslunda Uskf	SEN	
--------	-----------------	-----	--

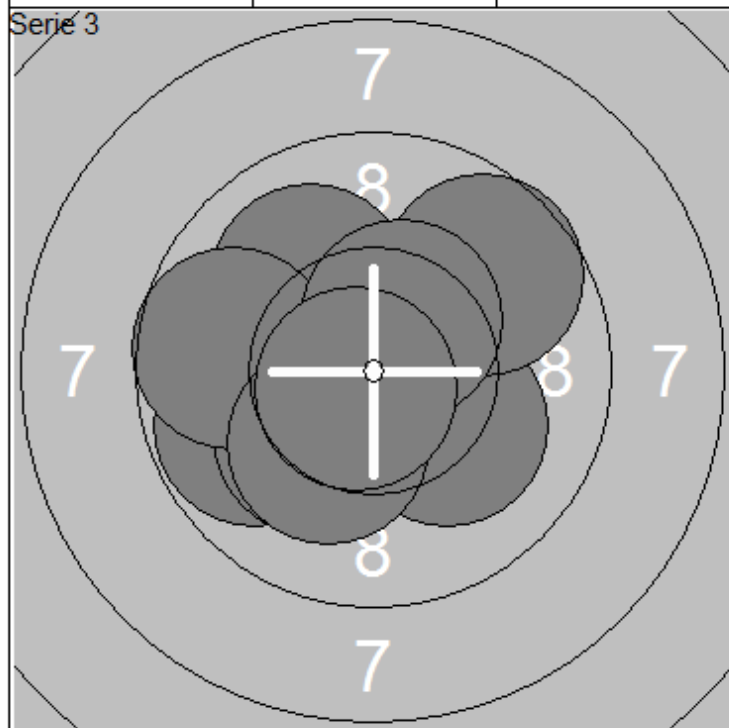
02.04.2022	Discokulan 2022	Alvesta SF	
------------	-----------------	------------	--



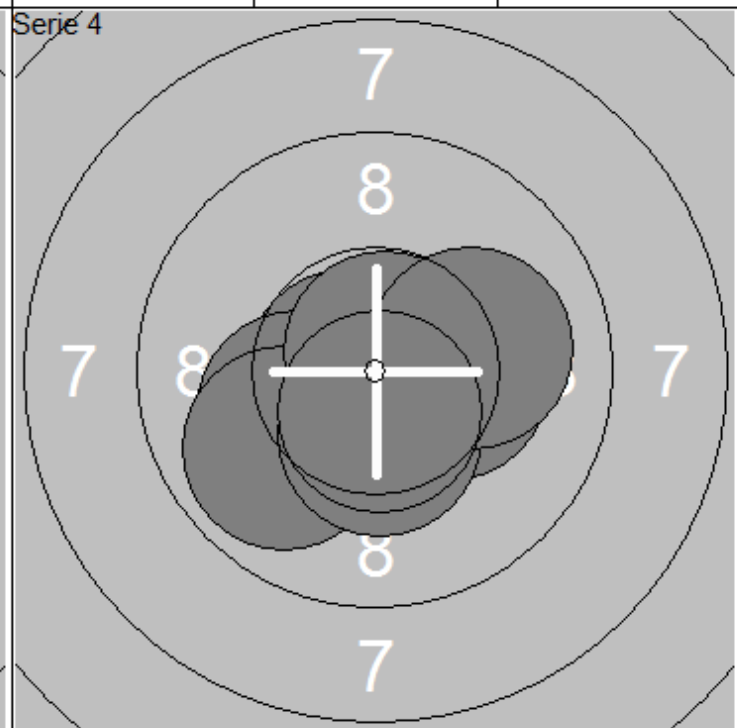
1: 10.0 ↙	6: 10.6x →	Serie	104.1
2: 10.7x ←	7: 10.0 ↗		
3: 10.2x ↘	8: 10.6x →	Total	104.1
4: 10.7x ↘	9: 10.6x ↗		
5: 10.2x ↗	10: 10.5x ↘		



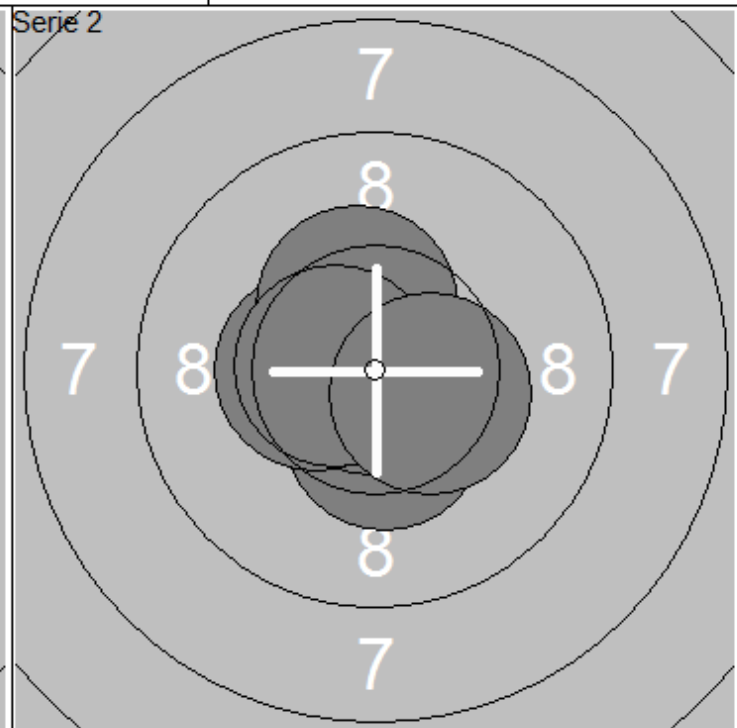
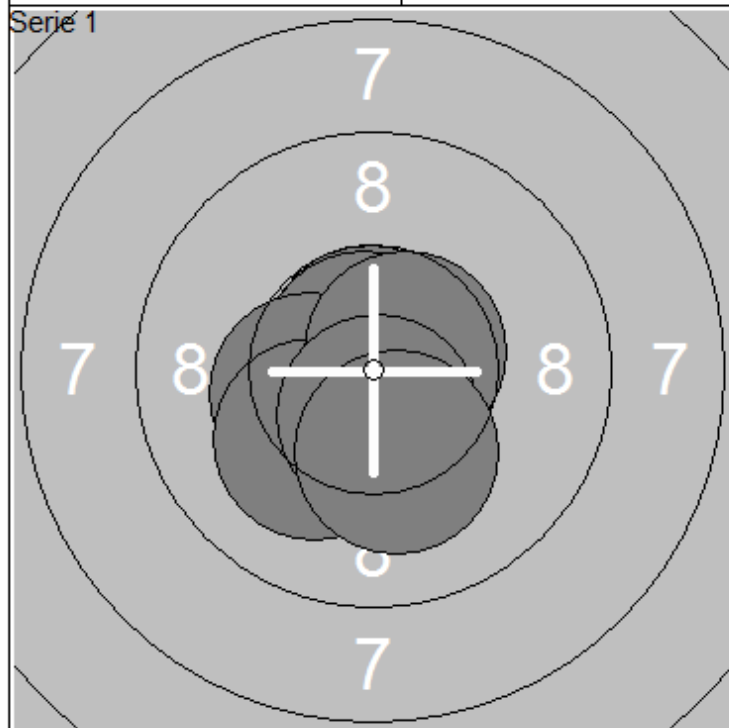
1: 10.2x ↗	6: 10.1 ↘	Serie	104.1
2: 10.7x ←	7: 10.2x ↘		
3: 10.9x ↘	8: 10.2x ←	Total	208.2
4: 10.7x ↗	9: 10.7x ↗		
5: 10.5x ←	10: 9.9 ↘		



1: 9.8 ←	6: 9.7 ↗	Serie	101.2
2: 10.0 ↗	7: 9.7 ←		
3: 10.2x ↘	8: 10.4x ↗	Total	309.4
4: 10.4x ↘	9: 10.2x ↘		
5: 10.1 ↘	10: 10.7x ↘		

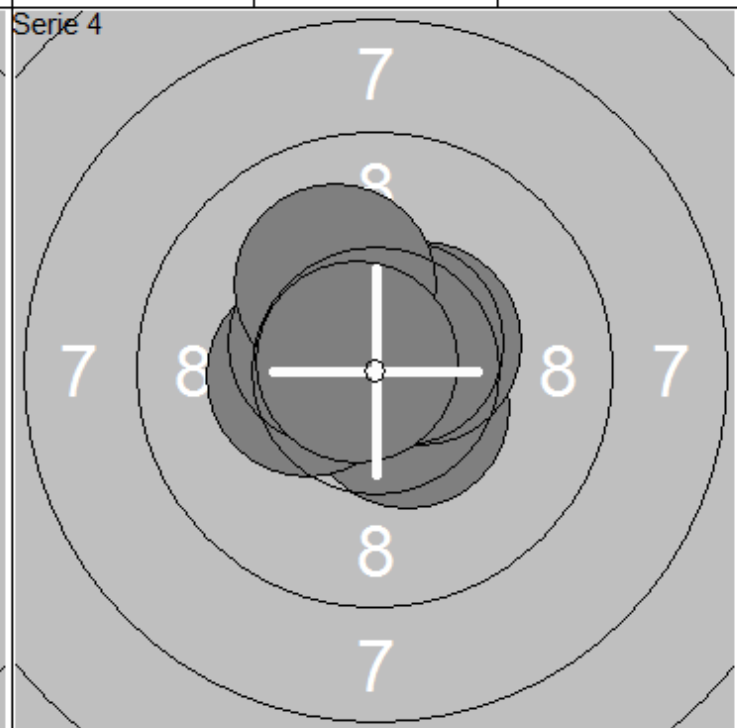
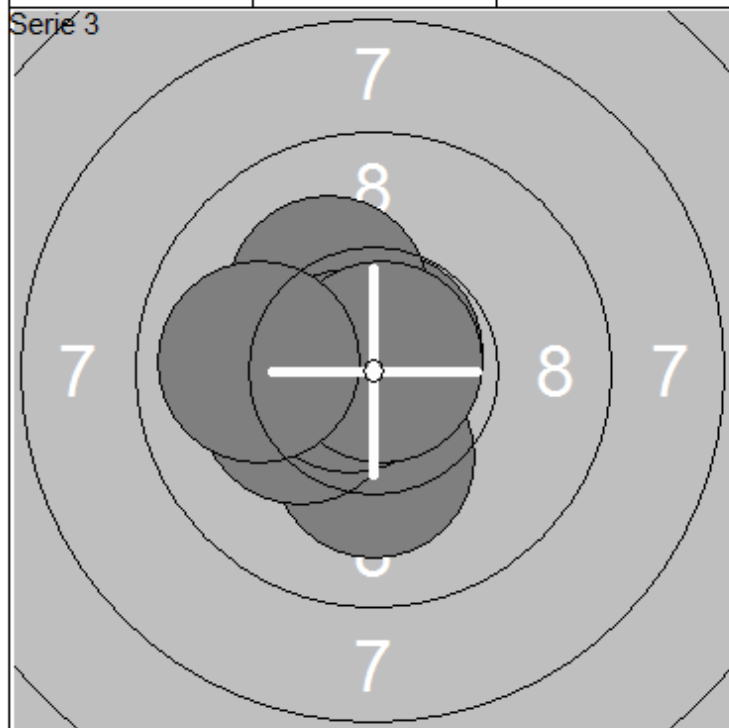


1: 10.2x →	6: 9.9 ←	Serie	103.5
2: 10.7x ←	7: 10.4x ↓		
3: 10.4x ↓	8: 10.7x ↗	Total	412.9
4: 10.3x →	9: 10.1 →		
5: 10.2x ←	10: 10.6x ↓		



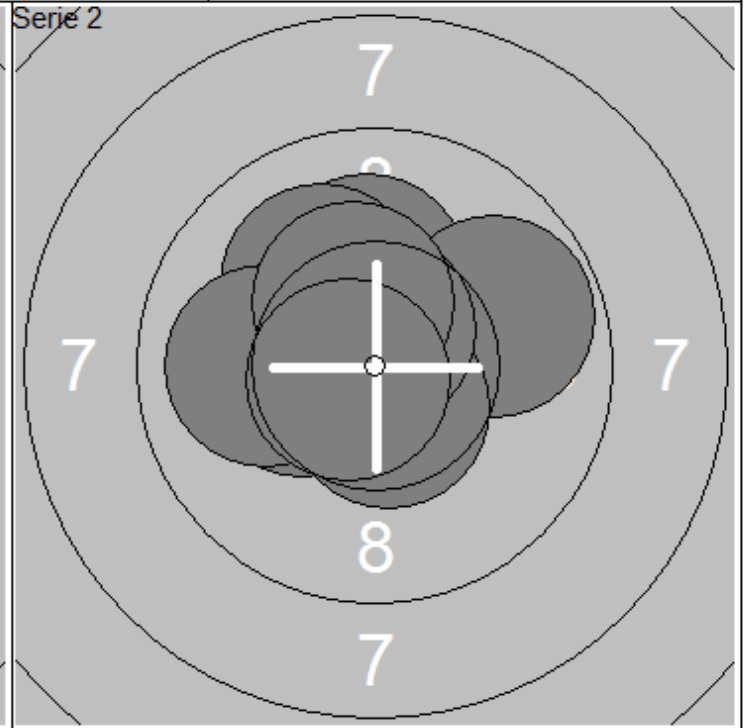
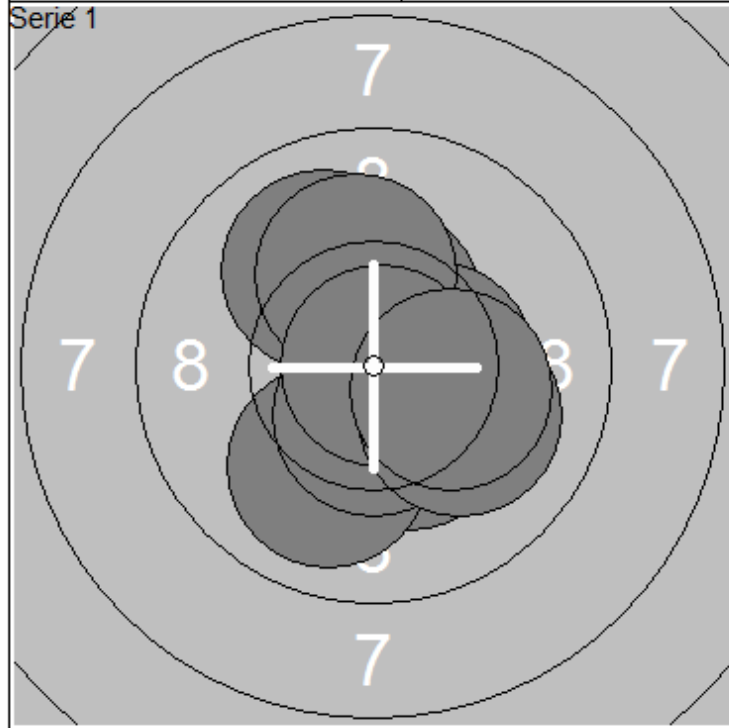
1: 10.7x ↑	6: 10.3x ←	Serie	105.6
2: 10.8x →	7: 10.1 ↘		
3: 10.9x ↓	8: 10.6x ↗	Total	105.6
4: 10.8x →	9: 10.5x ↓		
5: 10.7x ↗	10: 10.2x ↓		

1: 10.8x ↑	6: 10.6x ↗	Serie	105.9
2: 10.8x ↘	7: 10.4x ←		
3: 10.4x ↓	8: 10.3x ↗	Total	211.5
4: 10.9x ↘	9: 10.6x ←		
5: 10.7x ↗	10: 10.4x ↘		



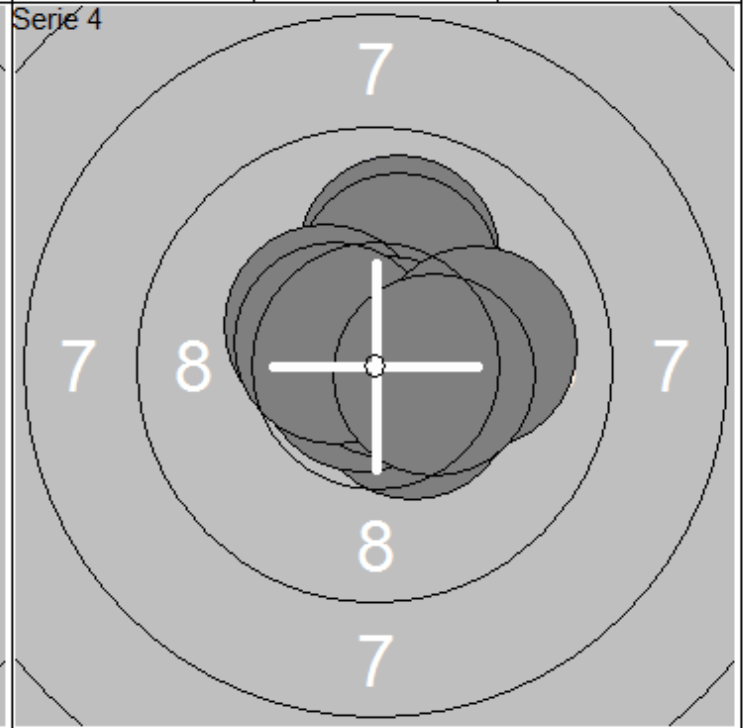
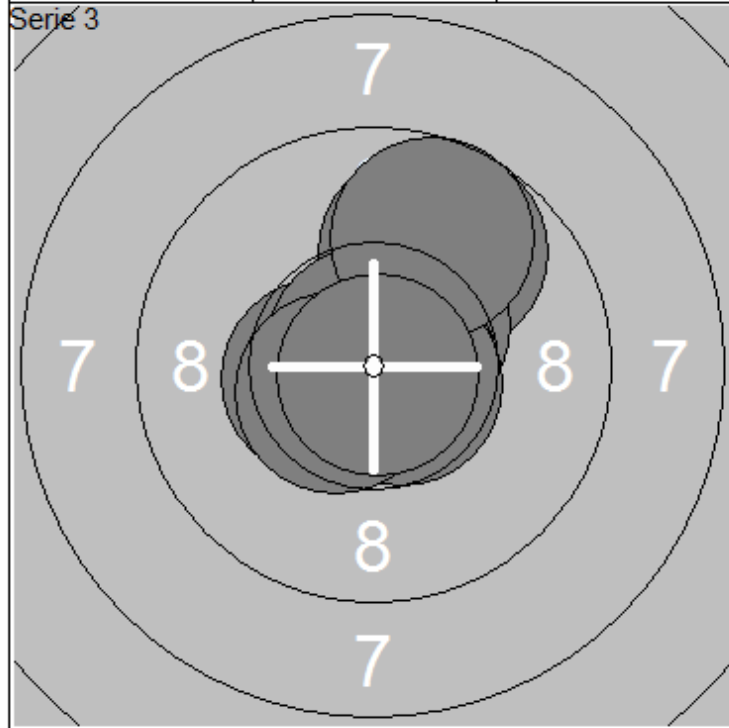
1: 10.6x ↘	6: 10.7x ↗	Serie	104.5
2: 10.2x ↓	7: 10.2x ↗		
3: 10.7x ↗	8: 10.7x ←	Total	316.0
4: 10.5x ↗	9: 10.8x ↗		
5: 10.2x ←	10: 9.9 ←		

1: 10.5x ↗	6: 10.3x ←	Serie	104.7
2: 10.6x ↗	7: 10.6x ↗		
3: 10.5x ↘	8: 10.5x ↗	Total	420.7
4: 10.5x ↗	9: 10.1 ↗		
5: 10.4x ↗	10: 10.7x ↗		



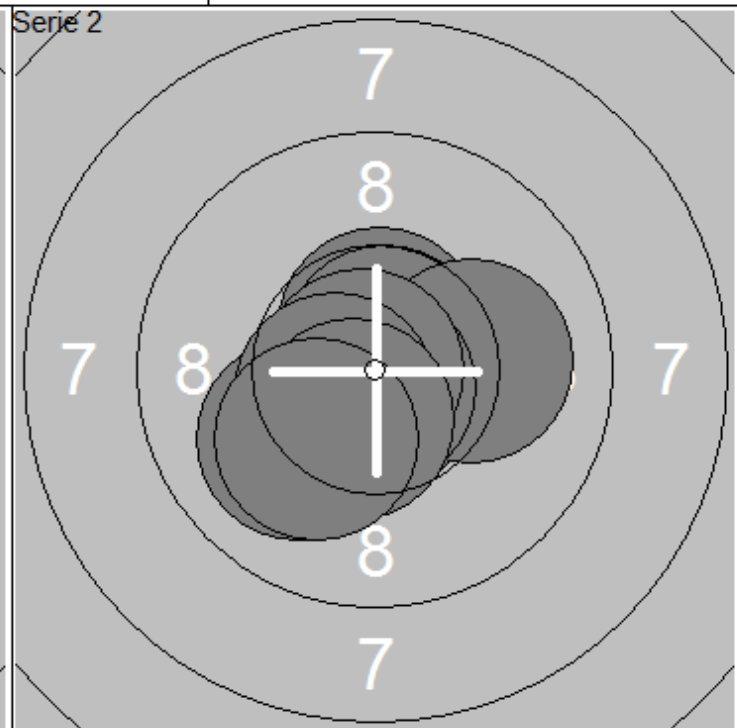
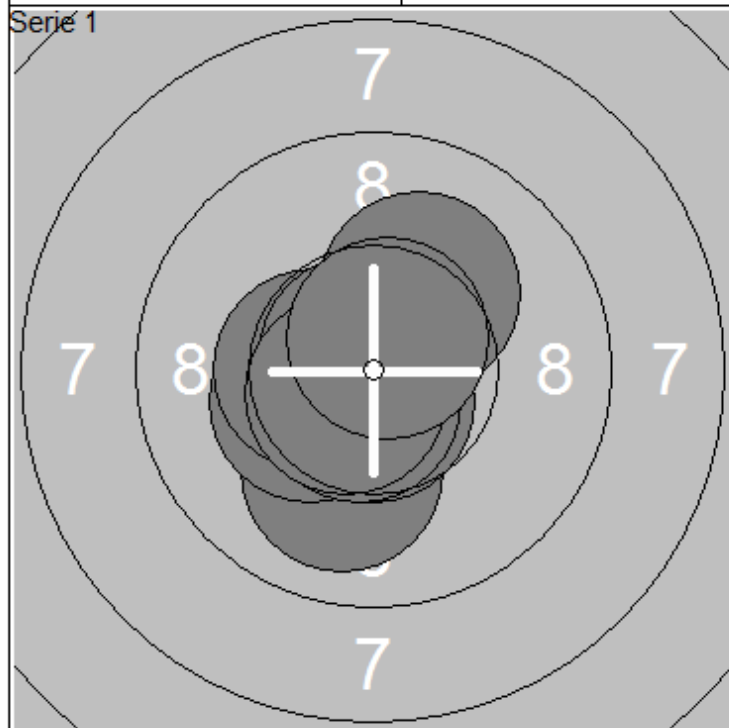
1: 10.4x ↗	6: 10.5x ↓	Serie	102.8
2: 10.3x ↘	7: 10.1 ↗		
3: 10.0 ↙	8: 10.9x →	Total	102.8
4: 10.4x →	9: 10.0 ↘		
5: 10.0 ↗	10: 10.2x ↘		

1: 10.6x ←	6: 10.3x ←	Serie	102.9
2: 10.1 ↗	7: 10.6x ↗		
3: 9.8 ↗	8: 10.0 ←	Total	205.7
4: 10.1 ↗	9: 10.3x ↗		
5: 10.5x ↘	10: 10.6x ←		



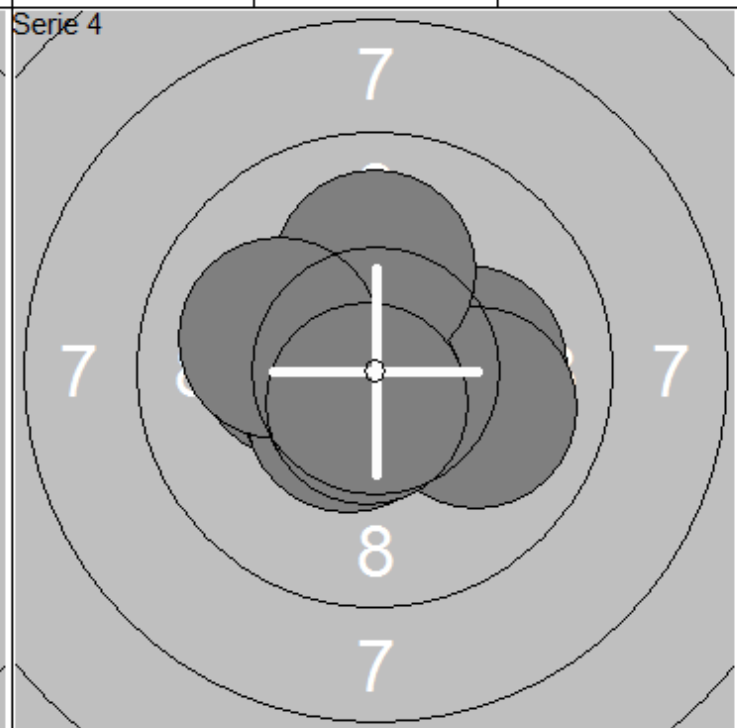
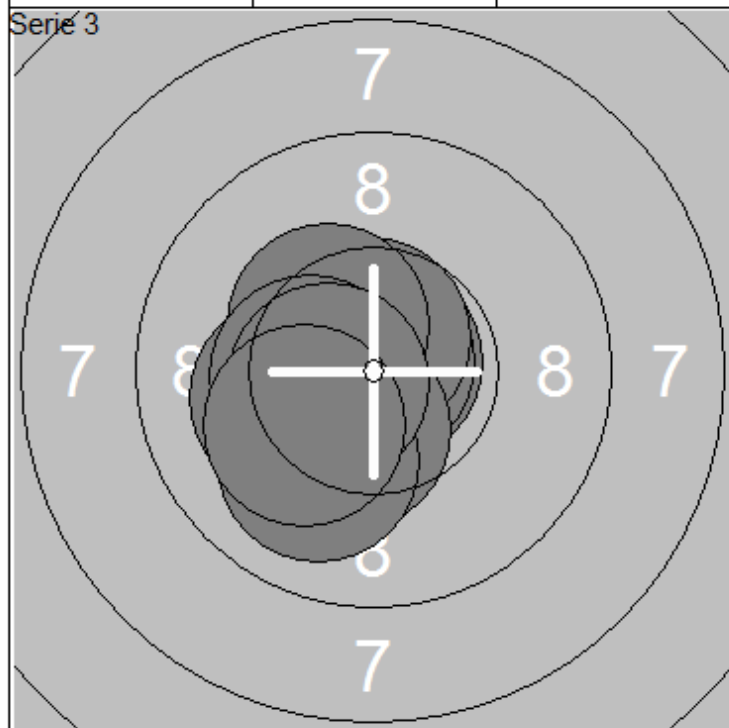
1: 9.8 ↗	6: 10.7x →	Serie	103.7
2: 10.5x ←	7: 10.6x ↘		
3: 9.9 ↗	8: 9.7 ↗	Total	309.4
4: 10.4x ↗	9: 10.5x ↙		
5: 10.8x ↗	10: 10.8x ↘		

1: 10.5x ↘	6: 10.4x ↗	Serie	104.0
2: 10.5x ↗	7: 10.8x ↗		
3: 10.8x ←	8: 10.5x ↗	Total	413.4
4: 10.0 ↗	9: 10.0 →		
5: 10.1 ↗	10: 10.4x →		



1: 10.6x ↙	6: 10.1 ↗	Serie	104.5
2: 10.0 ↘	7: 10.7x ↖		
3: 10.6x ↓	8: 10.6x ↓	Total	104.5
4: 10.3x ←	9: 10.6x ↙		
5: 10.4x ←	10: 10.6x ↗		

1: 10.6x ↑	6: 10.8x ↓	Serie	104.7
2: 10.7x ↓	7: 10.8x ←		
3: 10.7x ↗	8: 10.5x ↙	Total	209.2
4: 10.1 →	9: 10.4x ↓		
5: 10.0 ↙	10: 10.1 ↘		



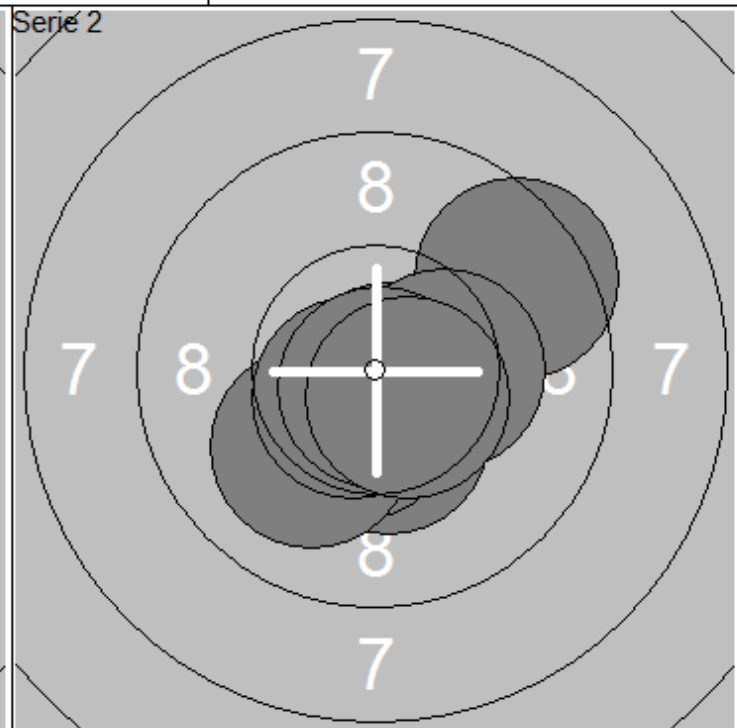
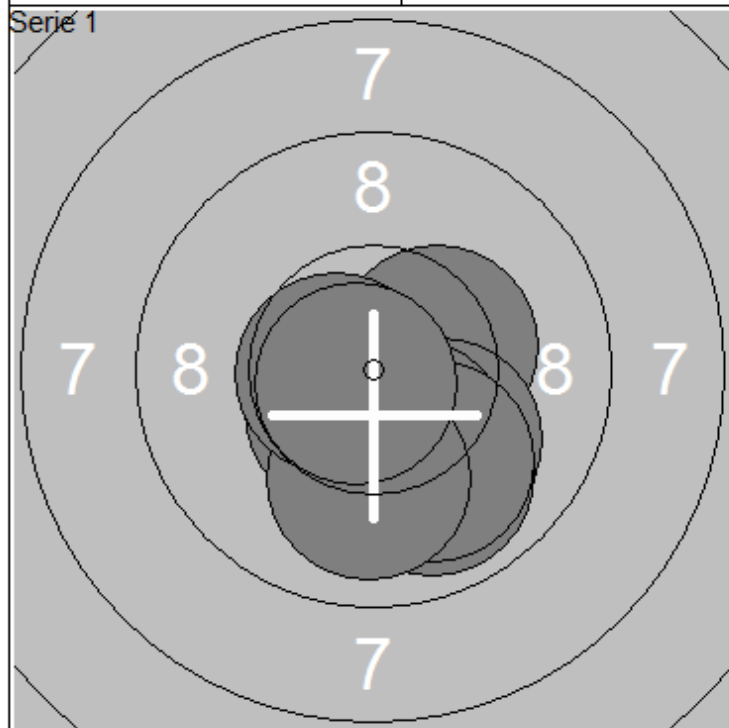
1: 10.2x ↙	6: 10.4x ↓	Serie	104.4
2: 10.8x ↗	7: 10.0 ↓		
3: 10.8x ↑	8: 10.4x ←	Total	313.6
4: 10.7x ↗	9: 10.5x ←		
5: 10.4x ↖	10: 10.2x ↘		

1: 10.6x ↙	6: 10.5x ↓	Serie	103.2
2: 10.1 →	7: 10.7x ↓		
3: 10.2x ←	8: 10.0 ↑	Total	416.8
4: 10.0 ↘	9: 10.0 ↙		
5: 10.5x ↙	10: 10.6x ↓		

Skjutlag 3	Tavla 5	Kevin Rosendahl	
----------------------	-------------------	------------------------	--

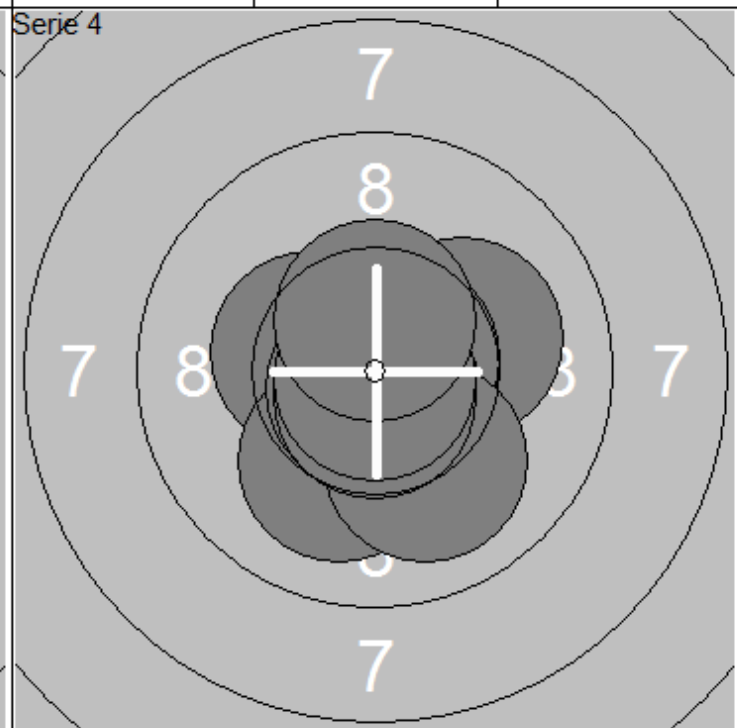
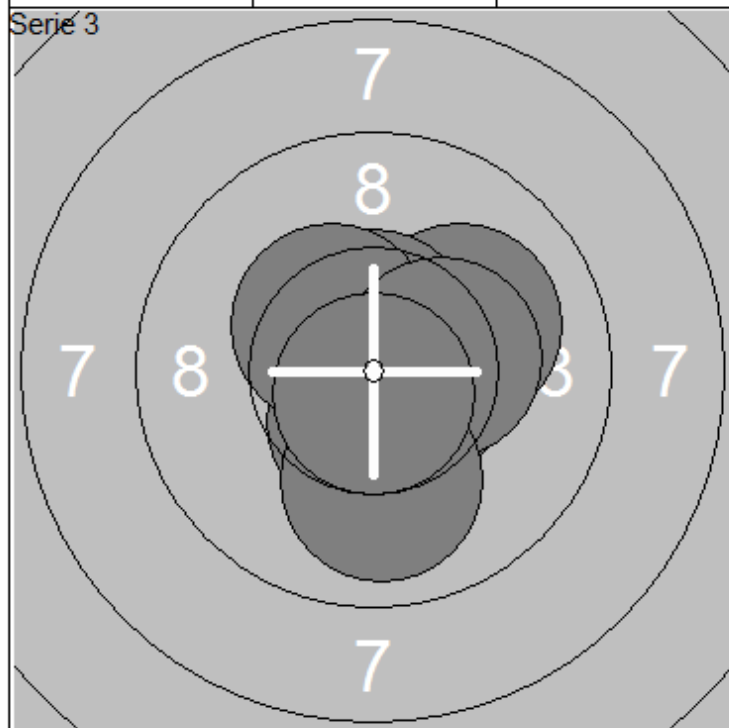
1 Luft	Nässjö SG	JUN	
--------	-----------	-----	--

02.04.2022	Discokulan 2022	Alvesta SF	
------------	-----------------	------------	--



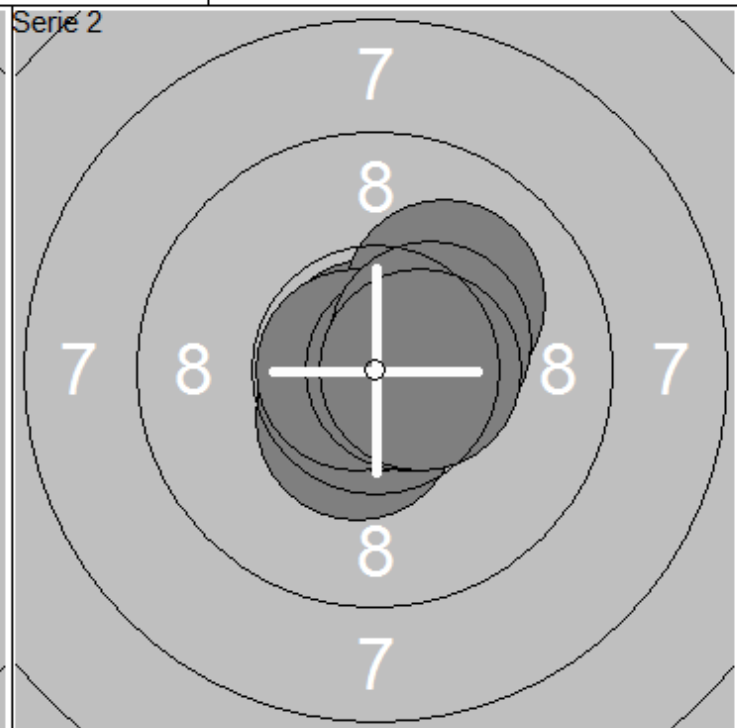
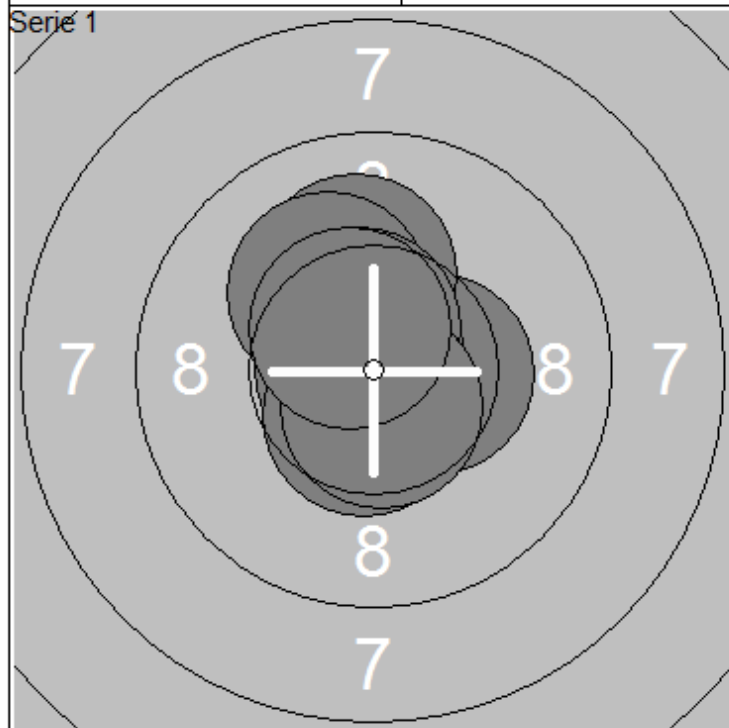
1: 10.3x →	6: 10.5x ↓	Serie	102.9
2: 10.1 ↓	7: 10.0 ↓		
3: 10.6x ↖	8: 10.0 ↓	Total	102.9
4: 9.9 ↓	9: 10.6x ←		
5: 10.2x ↓	10: 10.7x ↙		

1: 10.4x ↓	6: 10.0 ↓	Serie	103.9
2: 10.5x ↓	7: 10.3x →		
3: 10.6x ↘	8: 10.6x ↘	Total	206.8
4: 10.7x ↘	9: 10.8x ↓		
5: 9.4 ↗	10: 10.6x ↘		



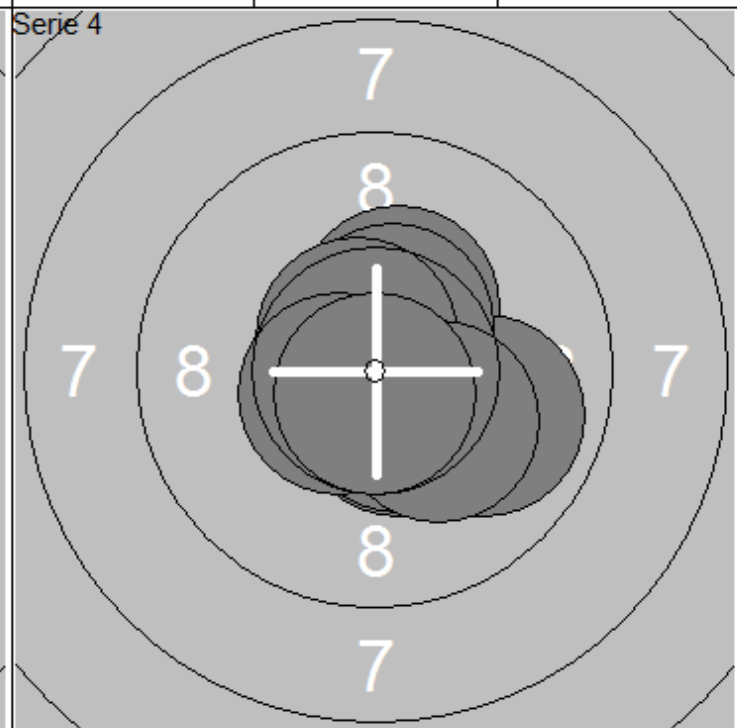
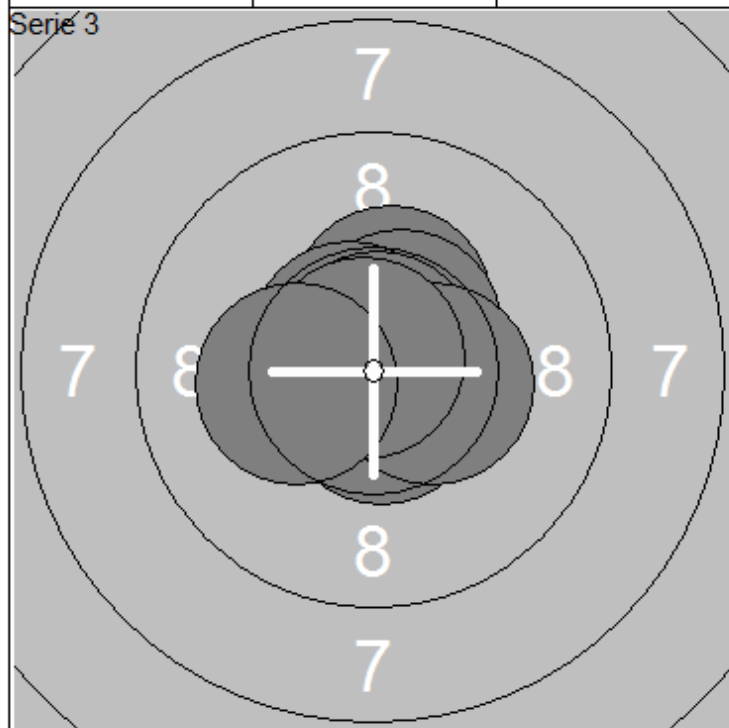
1: 10.1 ↗	6: 10.4x ↗	Serie	104.4
2: 10.5x ↓	7: 10.6x ↓		
3: 10.5x →	8: 10.3x →	Total	311.2
4: 10.6x ↑	9: 10.0 ↓		
5: 10.7x →	10: 10.7x ↓		

1: 10.1 ↗	6: 10.8x ↓	Serie	104.7
2: 10.3x ←	7: 10.0 ↓		
3: 10.7x ↗	8: 10.7x ↓	Total	415.9
4: 10.1 ↓	9: 10.8x ↓		
5: 10.7x ↓	10: 10.5x ↑		



1: 10.7x ↗	6: 10.8x ↗	Serie	105.1
2: 10.8x ←	7: 10.6x ↗		
3: 10.4x →	8: 10.5x ↘	Total	105.1
4: 10.1 ↗	9: 10.6x ↘		
5: 10.1 ↗	10: 10.5x ↗		

1: 10.8x ↘	6: 10.9x →	Serie	106.0
2: 10.8x ↗	7: 10.8x ←		
3: 10.5x ↘	8: 10.7x →	Total	211.1
4: 10.5x ↘	9: 10.4x ↗		
5: 10.1 ↗	10: 10.5x →		



1: 10.3x ↗	6: 10.6x ↘	Serie	105.8
2: 10.9x ↗	7: 10.8x ↗		
3: 10.7x ↘	8: 10.4x →	Total	316.9
4: 10.5x ↗	9: 10.8x ↗		
5: 10.6x ↗	10: 10.2x ←		

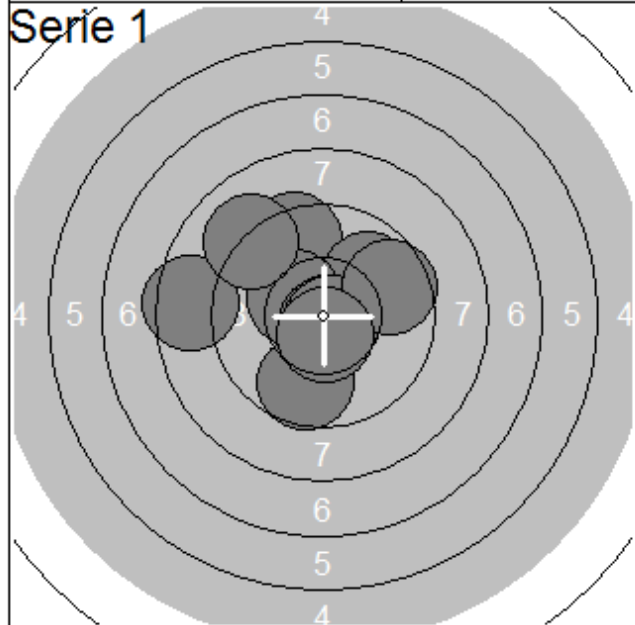
1: 10.5x ↘	6: 10.6x ↗	Serie	104.4
2: 10.3x ↗	7: 10.5x ↘		
3: 9.9 →	8: 10.6x ←	Total	421.3
4: 10.6x ↗	9: 10.2x ↘		
5: 10.5x ↗	10: 10.7x ↘		

Skjutlag 3	Tavla 7	Bruce Rosendal		
----------------------	-------------------	-----------------------	--	--

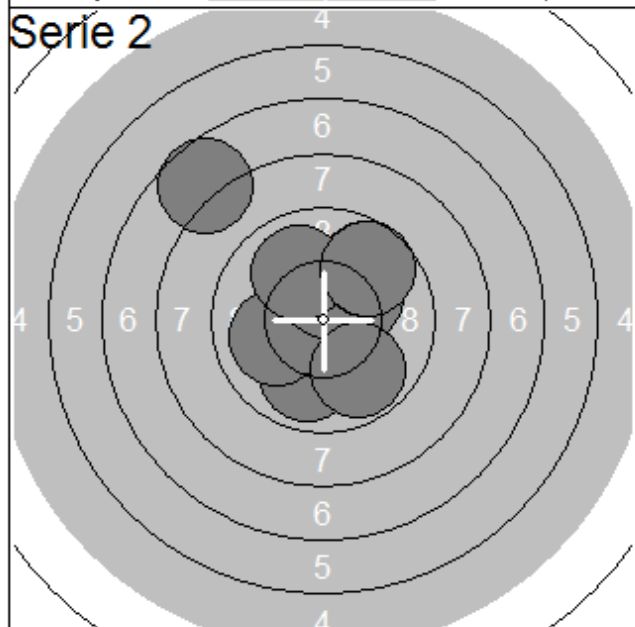
1 Luft	Nässjö SG	L11	
--------	-----------	-----	--

02.04.2022	Discokulan 2022	Alvesta SF	
------------	-----------------	------------	--

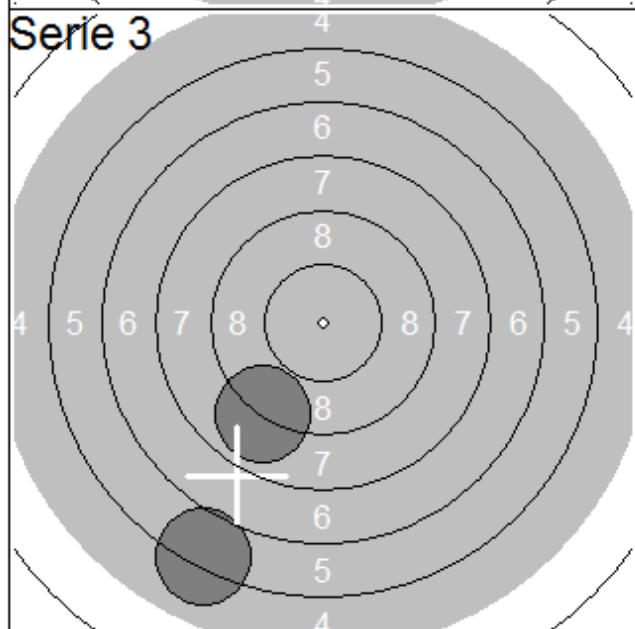
DNF			
-----	--	--	--



1:	8.5	↖
2:	9.4	↗
3:	9.6	↘
4:	9.8	↗
5:	10.3x	↗
6:	10.8x	↘
7:	9.0	↗
8:	10.7x	↘
9:	9.6	↗
10:	10.6x	↘
Serie		98.3
Total		98.3



1:	10.0	↘
2:	9.9	↘
3:	10.2x	↗
4:	10.0	↖
5:	10.4x	↗
6:	9.7	↗
7:	7.6	↗
8:	9.9	↗
9:	9.7	↗
10:	9.8	↘
Serie		97.2
Total		195.5



1:	8.9	↘
2:	6.1	↘
Serie		15.0
Total		210.5